

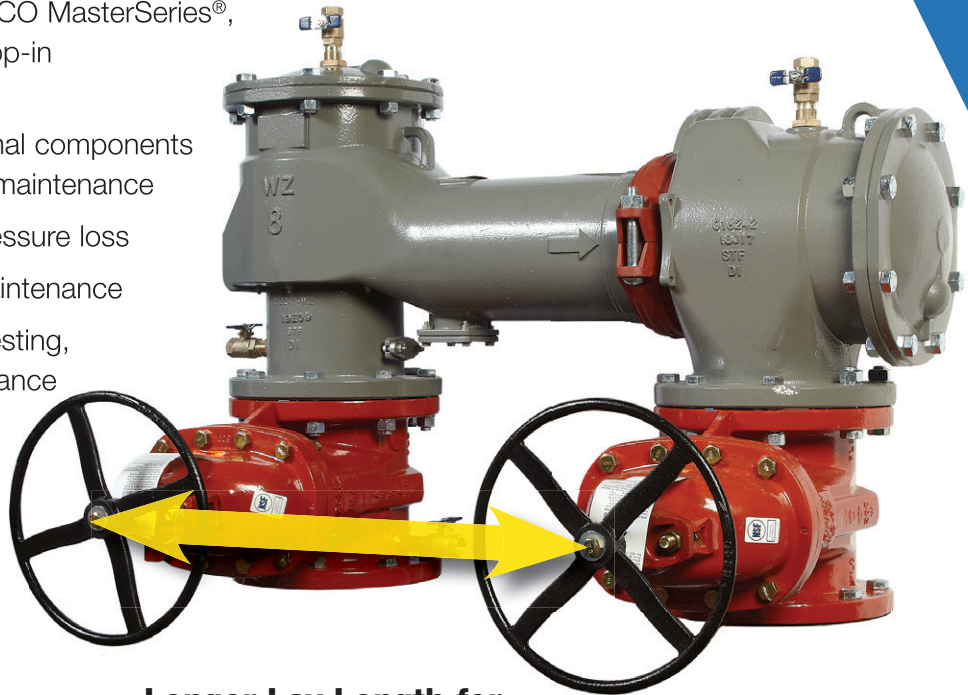
MasterSeries® Type W/WZ

Extended Lay Length N- and Z-pattern Backflow Preventers for Retrofit Applications

The same quality and reliability of FEBCO MasterSeries®, but with new lay lengths that allow drop-in replacement of older valves.

- Investment-cast stainless steel internal components for extended valve life and reduced maintenance
- Superior check design to reduce pressure loss
- Captured springs for easy check maintenance
- Type II bypass detectors for faster testing, lower head loss, and easier maintenance
- W/WZ models available from 4" to 10"

Investment-cast stainless steel check with captured spring



Longer Lay Length for Drop-in Replacements

Put Some Armor On It

ArmorTek™ advanced coating system

is a patent pending three-pronged approach to corrosion protection. Each layer is field-tested and proven to slow the spread of corrosion while prohibiting the growth of the bacteria that can cause MIC and limiting tubercles that can clog or foul downstream equipment.



1: Anti-corrosion primer



2: Microbial inhibitor

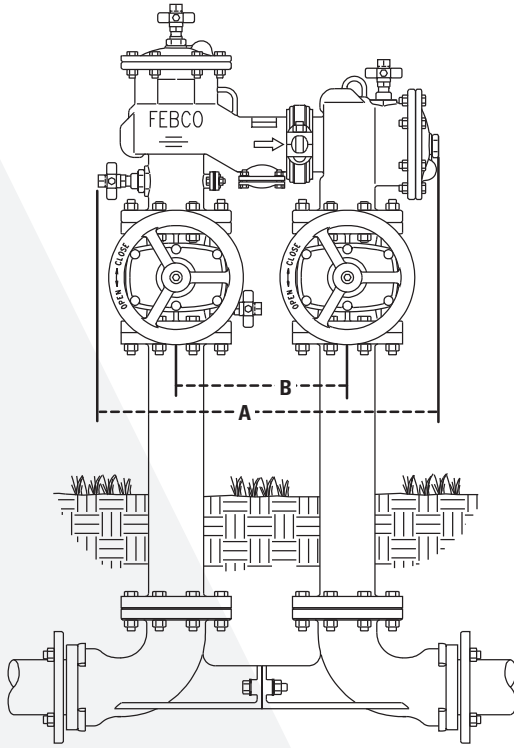


3: Robust topcoat

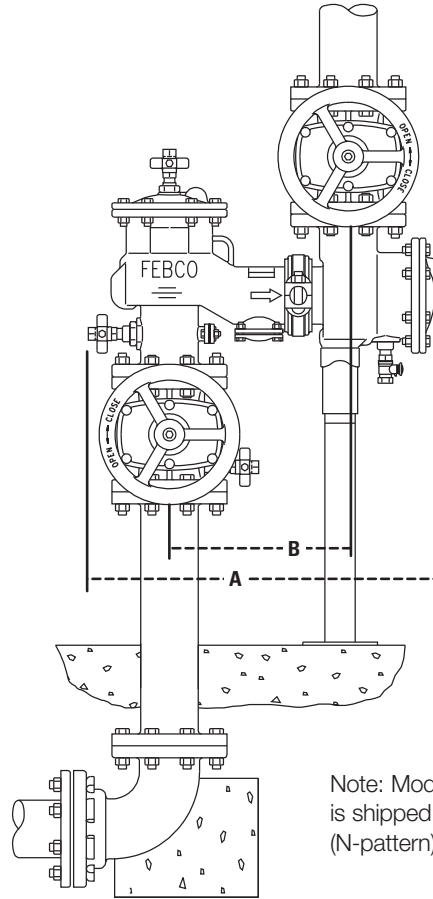
Dimensions

Below are the nominal lay lengths for Model LF870W/WZ, sizes 4" to 10". Allowances must be made for normal manufacturing tolerances. Visit watts.com to download installation instructions, or contact your local FEBCO representative for more information.

Model LF870W
Standard N-pattern Orientation



Model LF870WZ
Vertical Z-pattern Orientation



Note: Model LF870W/WZ is shipped in the standard (N-pattern) orientation.

Assemblies 4" to 10" available in the following models.

TYPE	N PATTERN	Z PATTERN
Double Check Assembly	LF870W	LF870WZ
Double Check Detector Assembly	LF876W	LF876WZ
Reduced Pressure Zone Assembly	LF880W-FS	LF880WZ-FS
Reduced Pressure Detector Assembly	LF886W-FS	LF886WZ-FS

Models LF880W/WZ-FS and LF886W/WZ-FS include an integrated flood sensor on the relief valve. (Add-on connection kit required for sensor activation.) When excessive discharge occurs, the sensor energizes a relay signaling flood detection and triggers real-time notification of potential flood conditions. Compatible with BMS and cellular communication.

SIZE	DIMENSIONS							
	A (W)		A (Z)		B (W)		B (Z)	
in.	in.	mm	in.	mm	in.	mm	in.	mm
4	32 ³ / ₁₆	818	32 ¹³ / ₁₆	833	18 ⁵ / ₁₆	465	18 ¹⁵ / ₁₆	481
6	34 ¹⁵ / ₁₆	887	37 ¹ / ₄	946	18 ¹¹ / ₁₆	475	21	533
8	48	1219	49 ⁹ / ₁₆	1253	29	737	30 ⁵ / ₁₆	770
10	50 ¹ / ₁₆	1272	51 ⁵ / ₁₆	1304	29	737	30 ⁵ / ₁₆	533

For full weights and dimensions, go to Watts.com.



A **WATTS** Brand

USA: T: (800) 767-1234 • F: (800) 788-4491 • FEBCOonline.com
 Canada: T: (888) 208-8927 • F: (888) 479-2887 • FEBCOonline.ca
 Latin America: T: ((52) 55-4122-0138 • FEBCOonline.com