

Installation, Maintenance, and Repair Manual

Series 880V, LF880V-FS, and LF886V-FS

Reduced Pressure Zone Assemblies
 Reduced Pressure Detector Assemblies
 2½" – 10"

⚠ WARNING



Read this Manual **BEFORE** using this equipment.
 Failure to read and follow all safety and use information can result in death, serious personal injury, property damage, or damage to the equipment.
 Keep this Manual for future reference.



⚠ WARNING

Need for Periodic Inspection/Maintenance: This product must be tested periodically in compliance with local codes, but at least once per year or more as service conditions warrant. All products must be retested once maintenance has been performed. Corrosive water conditions and/or unauthorized adjustments or repair could render the product ineffective for the service intended. Regular checking and cleaning of the product's internal components helps assure maximum life and proper product function.

⚠ WARNING

Local building or plumbing codes may require modifications to the information provided. You are required to consult the local building and plumbing codes prior to installation. If the information provided here is not consistent with local building or plumbing codes, the local codes should be followed. This product must be installed by a licensed contractor in accordance with local codes and ordinances.

In this trio of MasterSeries assemblies, LF880V-FS and LF886V-FS are each equipped with an integrated flood sensor that detects excessive relief valve discharges and triggers notification of potential flood events. An add-on sensor connection kit activates the alert system for use with building management systems or cellular communication networks. A retrofit sensor connection kit is available for existing installations. See "Add-on and Retrofit Sensor Connection Kits," at the end of this document for the qualifying series and valve sizes.



LF880V-FS-OSY



A WATTS Brand

Installation Guidelines

NOTICE

The flange gasket bolts for the gate valves should be retightened during installation as the bolts may have loosened due to storage and shipping.

1. Consult local codes for specific installation requirements and restrictions applicable to your area. At least 20 psi (138 kPa) is recommended for system supply pressure.
2. Install the valve assembly only in the orientation or flow direction shown. The gate valves may be rotated as permitted by the flange bolt pattern.

NOTICE

Normal discharge and nuisance spitting are accommodated by use of a FEBCO® air gap fitting and a fabricated indirect waste line. The gap drain is not designed to catch the maximum discharge possible from the relief valve. The installation of a FEBCO air gap with the drain line terminating above a floor drain handles any normal discharge or nuisance spitting through the relief valve. However, floor drain size may need to be designed to prevent water damage caused by a complete failure condition. Do not reduce the size of the drain line from the air gap fitting.

When installing an air gap, attach the air gap brackets directly onto the flood sensor.

3. Install the valve assembly where it is accessible for periodic testing and maintenance. Clearances shown in the installation views apply to exterior, interior, and pit or vault installations and are only recommendations. (See Figures 1 and 2.) These minimums do not apply to removable protective enclosures. Refer to local codes for actual requirements in the area.
4. Before installing the valve into the line, flush the supply line of all foreign material. Failure to flush the supply line may cause the check valves to become fouled and require disassembly and cleaning.
5. Lift the assembly by connecting lift hooks to the lift rings cast into the valve body. Do not lift the assembly by connecting to the gate valve handwheels or stems. Use of the optional valve setters (horizontal units only) provides for a rigid connection to the supply line (with the correct centerline) without the need for concrete thrust blocks.
6. For vertical installation, follow this procedure:
 - Loosen the bolts on the groove coupling just enough to allow rotation of the outlet check.
 - Remove the hose from the inlet of the bypass meter, being sure to remove and save the gasket.
 - Rotate the outlet check 180° to the vertical position and install pipe support (to be furnished by the customer and shall fit the same size pipe as the valve being installed, except 2½" valves require a 3" pipe support) on the pipe support lug that is now positioned under the check. (See Figure 2.)

- Retighten and inspect groove coupling.
- Reattach the hose to the inlet of the bypass meter, being sure to include the gasket removed previously, and ensuring meter is oriented with the face plate up. If necessary, adjust the bypass piping to connect the bypass hose by loosening the nuts on the bulkhead fittings that attach the bypass to the valve body and rotating the piping. Retighten the bulkhead nut once the piping is in place.

NOTICE

It may be desirable to move the bypass mounting bracket based on the location of the valve. The bypass mounting bracket can be moved to the opposite side. Follow the preceding instructions for rotating the bypass piping to accommodate the new position.

NOTICE

The valve body and pipe support are intended to support the weight of the second check valve and outlet gate valve only. The piping above the outlet gate valve must be supported independently. Retighten the bolts of the groove coupling. Rotate the outlet gate valve as desired or required.

7. (For vertical installation) Remove the formed tube from the bypass piping, then repeat step 6. Upon completion, rotate the compression fitting elbow 180° and reinstall the tube, rotating the pipe tee now at the bottom of the outlet check to align with tube.
8. After installation, slowly fill the assembly with water and bleed air from the body using test cocks No. 3 and No. 4. Test the valve assembly to ensure correct operation.

NOTICE

All assemblies are tested at the factory for proper operation and leakage. If the valve does not pass the field test, it is most likely due to a fouled check valve. This is not covered by the factory warranty. The valve cover(s) must be removed and the check seats inspected and cleaned. Any damage or improper operation caused by pipeline debris or improper installation or start-up is not included in the factory warranty. In case of a possible warranty claim, contact the local supplier or FEBCO representative. Do not remove the valve assembly from the pipeline.

9. Protect the assembly from freezing and excessive pressure increases. Pressure increases can be caused by thermal expansion or water hammer. These excessive pressure situations must be eliminated to protect the valve and system from possible damage.

Typical Installation

Figure 1

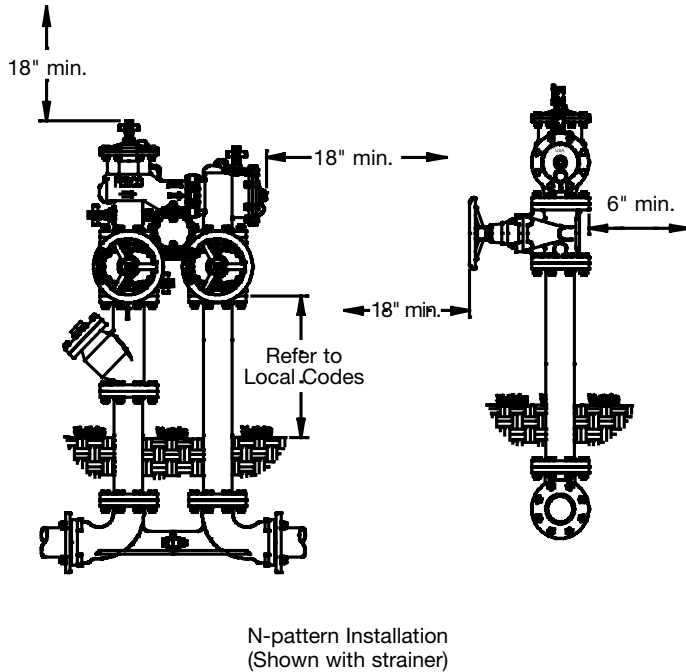
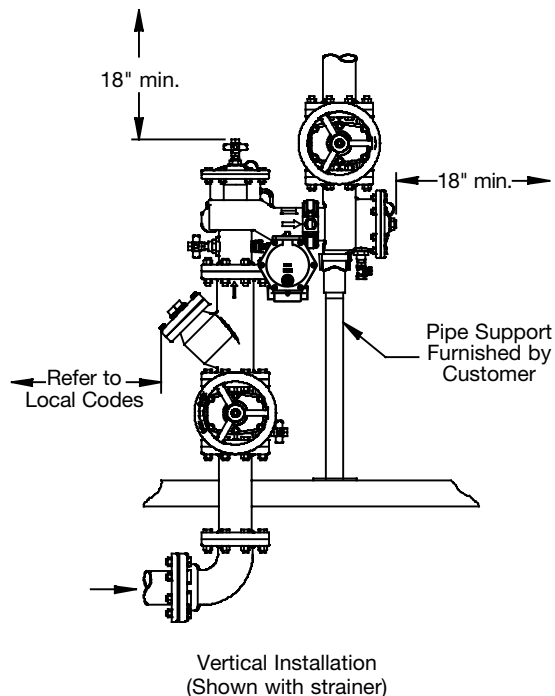


Figure 2



Service and Maintenance

- Rinse all parts with clean water before reassembly.
- Do not use any pipe dope, oil, grease, or solvent on any parts unless instructed to do so.
- Do not force parts. Parts should fit together freely. Excess force can cause damage and render the assembly inoperable.
- Carefully inspect seals and seating surfaces for debris or damage.
- After servicing, repressurize the assembly and test to ensure proper operation.
- For more information on maintenance, check with your FEBCO representative or go to FEBCOonline.com.

Check Valve Disassembly

1. Close the outlet shutoff valve, then close the inlet shutoff valve. Bleed residual pressure from the assembly by opening test cocks No. 4, No. 3, and No. 2 in this sequence.
2. Remove the cover nuts and bolts and lift the cover from the body. The springs are retained and the cover should be pushed away from the body approximately $\frac{1}{4}$ inch.
3. Inspect the parts and clean debris from the disc and seat ring. Replace worn or damaged parts as required.
4. Replace the cover, making sure the spring assembly is positioned in the pivot socket. If necessary, apply FDA Approved grease to the O-ring groove in the body to keep the O-ring in position while installing the cover.
5. Install the bolts and nuts and tighten.

Relief Valve Disassembly

1. Detach the activation module, if installed, from the flood sensor.
2. Use two $\frac{1}{2}$ " wrenches to remove the sensor from the relief valve.
3. Remove the cap screws holding the cover to the relief valve body, and remove the cover.
4. Remove the diaphragm and pull the internal assembly from the body. If helpful, push the internal assembly with fingers through the discharge opening.
5. Inspect for debris, damage, or fouling of the seat disc. Clean or replace the rubber disc as required.
6. Reposition the internal assembly and diaphragm into the body.
7. Install the cover and cap screws.
8. Reattach the flood sensor to the relief valve and mount the activation module to the sensor.



Test Procedure for Reduced Pressure Assemblies

Check the ASSE Series 5000 manual for an appropriate test method that is consistent with local codes of the area.



Troubleshooting

PROBLEM	CAUSE	SOLUTION
Continuous relief valve discharge	Debris on check seating surfaces	Disassemble and clean
	Debris on relief valve surfaces	
Intermittent relief valve discharge	Inlet pressure fluctuations	Eliminate fluctuations
	Downstream pressure surges	Eliminate surges

Add-on and Retrofit Sensor Connection Kits for Building Management Systems

PART NUMBER	ADD-ON/RETROFIT KIT	DESCRIPTION
88009414	 FP-FBF-BMS-21/2-10 BMS Sensor Connection Kit Series LF860-FS Large, LF866-FS, LF880V-FS, LF886V-FS Sizes 2½" to 10"	Includes sensor activation module with cable, ground wire, and power adapter. Use this kit to activate the integrated flood sensor and enable flood detection capabilities on the relief valve of a new installation linked to a BMS controller (not included).
88009415	 FP-RFK-FBF-BMS-CFS-21/2-10 BMS Sensor Retrofit Connection Kit Series LF860 Large, LF866, LF880V, LF886V Sizes 2½" to 10"	Includes flood sensor with mounting hardware, sensor activation module with cable, ground wire, and power adapter. Use this kit to install the flood sensor and enable flood detection capabilities on the relief valve of an existing installation linked to a BMS controller (not included).

Add-on and Retrofit Sensor Connection Kits for Cellular Communication

PART NUMBER	ADD-ON/RETROFIT KIT	DESCRIPTION
88009416	 FP-FBF-CFS-21/2-10 Cellular Sensor Connection Kit Series LF860-FS Large, LF866-FS, LF880V-FS, LF886V-FS Sizes 2½" to 10"	Includes sensor activation module with cable, Cellular Gateway with mounting kit, ground wire, and power adapter. Use this kit to activate the integrated flood sensor and enable flood detection capabilities on the relief valve of a new installation linked to a cellular network to send alerts by email message, SMS text message, or voice call.
88009417	 FP-RFK-FBF-CFS-21/2-10 Cellular Sensor Retrofit Connection Kit Series LF860 Large, LF866, LF880V, LF886V Sizes 2½" to 10"	Includes flood sensor with mounting hardware, sensor activation module with cable, Cellular Gateway with mounting kit, ground wire, and power adapter. Use this kit to install the flood sensor and enable flood detection capabilities on the relief valve of an existing installation linked to a cellular network to send alerts by email message, SMS text message, or voice call.

Limited Warranty: FEBCO (the "Company") warrants each product to be free from defects in material and workmanship under normal usage for a period of one year from the date of original shipment. In the event of such defects within the warranty period, the Company will, at its option, replace or recondition the product without charge.

THE WARRANTY SET FORTH HEREIN IS GIVEN EXPRESSLY AND IS THE ONLY WARRANTY GIVEN BY THE COMPANY WITH RESPECT TO THE PRODUCT. THE COMPANY MAKES NO OTHER WARRANTIES, EXPRESS OR IMPLIED. THE COMPANY HEREBY SPECIFICALLY DISCLAIMS ALL OTHER WARRANTIES, EXPRESS OR IMPLIED, INCLUDING BUT NOT LIMITED TO THE IMPLIED WARRANTIES OF MERCHANTABILITY AND FITNESS FOR A PARTICULAR PURPOSE.

The remedy described in the first paragraph of this warranty shall constitute the sole and exclusive remedy for breach of warranty, and the Company shall not be responsible for any incidental, special or consequential damages, including without limitation, lost profits or the cost of repairing or replacing other property which is damaged if this product does not work properly, other costs resulting from labor charges, delays, vandalism, negligence, fouling caused by foreign material, damage from adverse water conditions, chemical, or any other circumstances over which the Company has no control. This warranty shall be invalidated by any abuse, misuse, misapplication, improper installation or improper maintenance or alteration of the product.

Some States do not allow limitations on how long an implied warranty lasts, and some States do not allow the exclusion or limitation of incidental or consequential damages. Therefore the above limitations may not apply to you. This Limited Warranty gives you specific legal rights, and you may have other rights that vary from State to State. You should consult applicable state laws to determine your rights. **SO FAR AS IS CONSISTENT WITH APPLICABLE STATE LAW, ANY IMPLIED WARRANTIES THAT MAY NOT BE DISCLAIMED, INCLUDING THE IMPLIED WARRANTIES OF MERCHANTABILITY AND FITNESS FOR A PARTICULAR PURPOSE, ARE LIMITED IN DURATION TO ONE YEAR FROM THE DATE OF ORIGINAL SHIPMENT.**



A WATTS Brand

USA: T: (800) 767-1234 • FEBCOonline.com

Canada: T: (888) 208-8927 • FEBCOonline.ca

Latin America: T: (52) 55-4122-0138 • FEBCOonline.com

Manuel d'installation, d'entretien et de réparation

Série 880V, LF880V-FS et LF886V-FS

Ensembles pour zones à pression réduite

Dispositifs de pression réduite

2½ po à 10 po (6,4 cm à 25,4 cm)

⚠ AVERTISSEMENT



Veillez lire ce manuel AVANT d'utiliser cet équipement. Le non-respect de toutes les instructions de sécurité et d'utilisation peut entraîner des dommages matériels, des dommages à l'équipement, des blessures graves ou la mort.



Conservez ce manuel pour référence ultérieure.

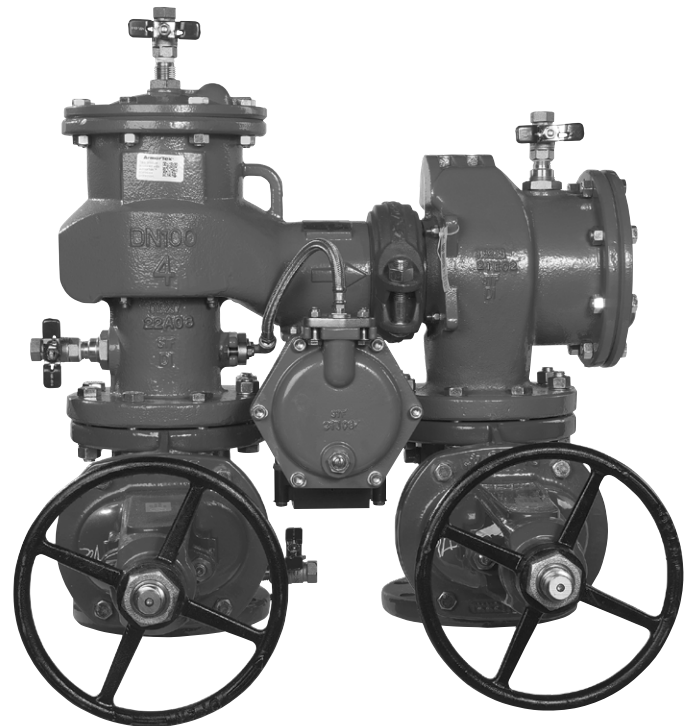
⚠ AVERTISSEMENT

Nécessité d'une inspection/d'un entretien périodique : Ce produit doit être testé périodiquement, conformément aux codes locaux, au moins une fois par an ou plus selon les conditions de service. Tous les produits doivent être testés à nouveau une fois l'entretien terminé. Un environnement avec de l'eau corrosive et/ou des réglages ou des réparations non autorisés peuvent rendre le produit inefficace pour le service prévu. Une vérification et un nettoyage réguliers des composants internes du produit peuvent prolonger la durée de vie maximale du produit et son bon fonctionnement.

⚠ AVERTISSEMENT

Il se peut que les codes du bâtiment ou de plomberie locaux nécessitent des modifications aux informations fournies. Vous êtes tenu de consulter les codes du bâtiment et de plomberie locaux avant l'installation. Si les informations fournies ici ne sont pas compatibles avec les codes du bâtiment ou de plomberie locaux, les codes locaux prévalent. Ce produit doit être installé par un entrepreneur autorisé et respecter les codes et les ordonnances locaux.

Les modèles de série MasterSeries LF880V-FS et LF886V-FS sont tous deux équipés d'un capteur d'inondation intégré qui détecte les décharges excessives de la soupape de décharge et déclenche une notification d'inondations potentielles. Une trousse de connexion de capteur complémentaire active le système d'alerte pour systèmes de gestion de bâtiment ou réseaux de communication cellulaire. Une trousse de connexion de capteur de modernisation est disponible pour les installations existantes. Voir « Trusses de connexion de capteur complémentaire et de modernisation » à la fin de ce document pour les modèles de série et tailles de vanne admissibles.



LF880V-FS-OSY



A WATTS Brand

Directives d'installation

AVIS

Les boulons de joint d'étanchéité de bride pour les robinets-vannes doivent être resserrés pendant l'installation, car ils peuvent se desserrer lors du transport et de l'entreposage.

1. Consultez les codes locaux pour les exigences et restrictions d'installation précises applicables à votre région. On recommande que la pression d'alimentation du système soit d'au moins 20 psi (138 kPa).
2. Installez l'ensemble de soupape uniquement dans l'orientation ou le sens de débit indiqué. Les vannes de la barrière peuvent être pivotées selon le modèle du boulon de la bride.

AVIS

Les décharges, nuisances et rejets ordinaires sont pris en charge par l'usage d'un raccord à lame d'air et d'une conduite d'évacuation indirecte préfabriquée FEBCO®. Le drain à intervalle n'est pas conçu pour accueillir le déversement maximal possible de la soupape de décharge. L'installation d'un raccord à lame d'air FEBCO sur la conduite de purge qui se termine au-dessus d'un siphon de sol permettra de gérer les décharges, nuisances et rejets ordinaires par la soupape de décharge. En revanche, il est possible qu'il faille que la taille du siphon soit conçue de sorte à empêcher les dégâts des eaux en cas de défaillance totale. Veillez à ne pas réduire la taille de la conduite de purge à partir du raccord à lame d'air.

Lors d'une installation avec passage d'air, fixez les supports de passage d'air directement sur le capteur d'inondation.

3. Installez la vanne de manière à être accessible pour des tests et de l'entretien périodique. Les dégagements recommandés affichés dans les graphiques d'installations s'appliquent aux installations extérieures, intérieures et de la fosse ou de la cave et sont fournis à titre de recommandation uniquement. (Voir les figures 1 et 2.) Ces minimums ne s'appliquent pas aux enveloppes de protection amovibles. Consultez les codes locaux pour les exigences réelles de la région.
4. Rincez la conduite d'alimentation pour la libérer de toute matière étrangère avant d'installer la vanne dans la conduite. Le défaut de rincer la conduite d'alimentation peut provoquer l'encrassement des clapets antiretour et exiger un démontage et un nettoyage.
5. Soulevez l'ensemble en passant les crochets de levage dans les anneaux de levage moulés dans le corps de la vanne. Ne soulevez pas l'ensemble en le raccordant aux roues ou aux tiges du robinet-vanne. L'utilisation des configurations de robinet en option (unités horizontales uniquement) permet un raccordement rigide à la conduite d'alimentation (avec la ligne centrale correcte) sans avoir recours à des blocs de butée en béton.
6. Pour une installation verticale, suivez cette procédure :
 - Desserrer les boulons sur le raccord à rainure juste assez pour permettre la rotation du clapet antiretour de sortie.
 - Retirez le tuyau de l'entrée du compteur de dérivation en s'assurant de retirer et de conserver le joint d'étanchéité.
 - Tournez le clapet antiretour de sortie à 180° à la position verticale et installez le support de tuyau (à fournir par le client et doit s'adapter à la même grosseur que la valve installée, sauf pour les vannes de 2½ po [6,4 cm] qui nécessitent un support de tuyau de 3 po [7,6 cm]) sur la languette de soutien du tuyau qui est maintenant positionnée sous l'antiretour. (Voir la figure 2.)
 - Resserrez et inspectez le raccord à rainure.

- Raccordez le tuyau à l'entrée du compteur à dérivation, en veillant à inclure le joint retiré précédemment et en s'assurant que le compteur est orienté avec la plaque frontale vers le haut. Il peut être nécessaire d'ajuster la tuyauterie de dérivation pour raccorder le tuyau de dérivation en desserrant les écrous sur les raccords de cloison qui fixent la dérivation au corps de la vanne et faisant pivoter la tuyauterie, Resserrez l'écrou de cloison une fois la tuyauterie en place.

AVIS

Il peut être souhaitable de déplacer le support de montage de la dérivation en fonction de l'emplacement de la vanne. Le support de fixation de dérivation peut être déplacé de l'autre côté. Suivez les instructions ci-dessus pour faire pivoter la tuyauterie de dérivation afin de tenir compte de la nouvelle position.

AVIS

Le corps de vanne et le support de tuyau sont conçus pour supporter le poids du deuxième clapet antiretour et du robinet-vanne de sortie seulement. La tuyauterie au-dessus de la vanne de sortie doit être soutenue indépendamment. Resserrez les boulons du raccord à rainure. Tournez le robinet-vanne de sortie comme souhaité ou requis.

7. (Pour une installation verticale) Retirer le tube formé de la tuyauterie de dérivation, puis répétez l'étape 6. Une fois terminé, tournez le coude du raccord de compression de 180° et réinstallez le tube, en tournant le raccord en T au bas du clapet de sortie maintenant pour l'aligner avec le tube.
8. Après l'installation, remplir lentement le dispositif avec de l'eau et purger l'air du corps de la vanne en utilisant les robinets d'essai n° 3 et n° 4. Testez la vanne pour s'assurer de son bon fonctionnement.

AVIS

Le bon fonctionnement et l'étanchéité de tous les ensembles sont testés en usine. Si la vanne ne passe pas le test sur le terrain, cela est très probablement dû à un clapet antiretour encrassé. Ceci n'est pas couvert par la garantie de l'usine. Les couvercles de vanne doivent être retirés et les sièges du clapet antiretour inspectés et nettoyés. Tout dommage ou mauvais fonctionnement causé par des débris dans la canalisation, une mauvaise installation ou un mauvais démarrage n'est pas inclus dans la garantie d'usine. Veuillez contacter le fournisseur local ou votre représentant FEBCO dans le cas d'une réclamation de garantie possible. Ne retirez pas l'ensemble de la vanne de la canalisation.

9. Protégez le montage contre le gel et les augmentations de pression excessives. Une augmentation de la pression peut être causée par la dilatation thermique ou un coup de bélier. Ces situations de pression excessives doivent être éliminées afin de protéger la vanne et le système des dégâts possible.

Installation typique

Figure 1

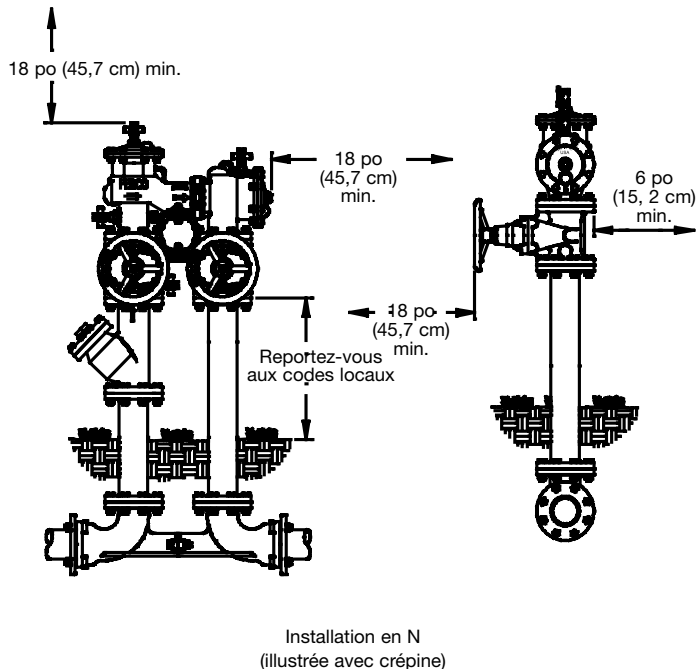
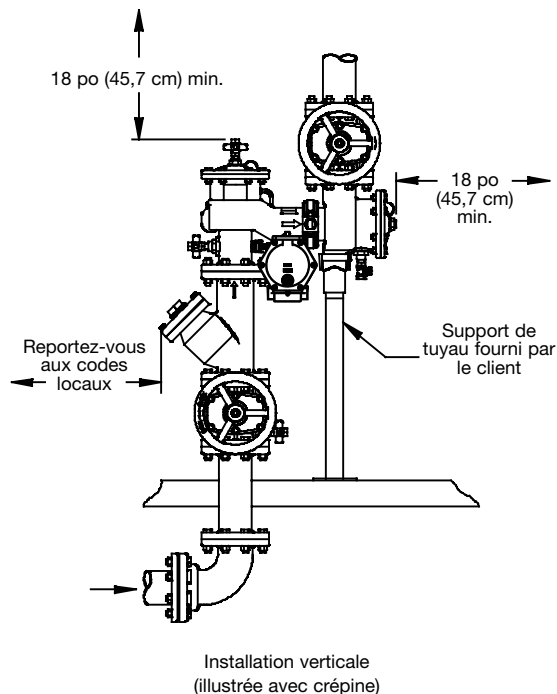


Figure 2



Entretien et maintenance

- Rincez toutes les pièces à l'eau propre avant le remontage.
- N'utilisez pas de pâte lubrifiante, d'huile, de graisse ou de solvant sur une pièce à moins d'être invité à le faire.
- Ne forcez pas les pièces. Les pièces doivent s'assembler librement. L'utilisation d'une force excessive peut causer des dommages et rendre l'ensemble inutilisable.
- Inspectez soigneusement les joints et les surfaces de contact pour la présence de débris ou de dommages.
- Après la réparation, pressurisez à nouveau l'ensemble et effectuez un test pour assurer le bon fonctionnement.
- Pour plus d'informations sur l'entretien, consultez votre représentant FEBCO ou visitez le site FEBCOonline.com.

Démontage du clapet antiretour

1. Fermez la vanne d'arrêt de sortie, ensuite fermez la vanne d'arrêt d'entrée. Purgez la pression résiduelle de l'assemblage en ouvrant les vannes de contrôle n° 4, n° 3 et n° 2 dans cet ordre.
2. Retirez les écrous et boulons du couvercle et soulevez le couvercle du corps. Les ressorts sont retenus et le couvercle doit être éloigné à environ ¼ po du corps.
3. Inspectez les pièces et nettoyez les débris du disque et de la bague de siège. Remplacez les pièces usées ou endommagées au besoin.
4. Remplacez le couvercle en vous assurant que le ressort est positionné dans l'emboîture du pivot. Au besoin, appliquez de la graisse approuvée par la FDA sur la rainure du joint torique sur le corps afin de maintenir le joint torique en place lors de l'installation du couvercle.
5. Installez les boulons et les écrous et serrez.

Démontage de la soupape de décharge

1. Détachez le module d'activation, le cas échéant, du capteur d'inondation.
2. Utilisez deux clés de ½ po (1,2 cm) pour retirer le capteur de la soupape de décharge.
3. Retirez les vis qui maintiennent le couvercle au corps de la soupape de décharge et retirez le couvercle.
4. Retirez la membrane et retirez l'ensemble interne du corps. Au besoin, poussez l'ensemble interne avec les doigts à travers l'ouverture de refoulement.
5. Inspectez le disque du siège pour déceler la présence de débris, de dommages ou d'encrassement. Nettoyez ou remplacez le disque de caoutchouc au besoin.
6. Repositionnez l'ensemble interne et la membrane dans le corps.
7. Installez le couvercle et les vis de rétention.
8. Refixez le capteur d'inondation à la soupape de décharge et montez le module d'activation sur le capteur.



Procédure de test pour les ensembles à pression réduite

Vérifiez le manuel de la série ASSE 5000 pour une méthode d'essai appropriée qui est conforme aux codes locaux de la région en question.



Dépannage

PROBLÈME	CAUSE	SOLUTION
Décharge continue de la soupape de décharge	Débris sur les surfaces des sièges	Démontez et nettoyez
	Débris sur les surfaces de la soupape de décharge	
Décharge intermittente de la soupape de décharge	Fluctuations de pression d'entrée	Éliminez les fluctuations
	Surtensions de pression en aval	Éliminez les surtensions

Trousse de connexion de capteur complémentaire et de modernisation pour les systèmes de gestion de bâtiment

N° DE PIÈCE	TROUSSE COMPLÉMENTAIRE/DE MODERNISATION	DESCRIPTION
88009414	 FP-FBF-BMS-21/2-10 Trousse de connexion de capteur BMS Série LF860-FS Large, LF866-FS, LF880V-FS, LF886V-FS Tailles 2½ po à 10 po (6,3 cm à 24,4 cm)	Comprend un module d'activation de capteur avec câble, un fil de mise à la terre, et un adaptateur d'alimentation. Utilisez cette trousse pour activer le capteur d'inondation intégré et activer la fonctionnalité de détection des inondations sur la soupape de décharge lors d'une nouvelle installation avec contrôleur BMS (non inclus).
88009415	 FP-RFK-FBF-BMS-CFS-21/2-10 Trousse de connexion de mise à niveau de capteur BMS Série LF860 Large, LF866, LF880V, LF886V Tailles 2½ po à 10 po (6,3 cm à 24,4 cm)	Comprend un capteur d'inondation avec matériel de montage, un module d'activation de capteur avec câble, un fil de mise à la terre, et un adaptateur d'alimentation. Utilisez cette trousse pour ajouter des capacités de détection des inondations à la soupape de décharge d'une installation existante avec contrôleur BMS (non inclus).

Trousse de connexion de capteur complémentaire et de modernisation pour communication cellulaire

N° DE PIÈCE	TROUSSE COMPLÉMENTAIRE/DE MODERNISATION	DESCRIPTION
88009416	 FP-FBF-CFS-21/2-10 Trousse de connexion de capteur cellulaire Série LF860-FS Large, LF866-FS, LF880V-FS, LF886V-FS Tailles 2½ po à 10 po (6,3 cm à 24,4 cm)	Comprend un module d'activation de capteur avec câble, une passerelle cellulaire avec trousse de montage, un fil de mise à la terre, et un adaptateur d'alimentation. Utilisez cette trousse pour activer le capteur d'inondation intégré et activer la fonctionnalité de détection des inondations sur la soupape de décharge lors d'une nouvelle installation avec réseau cellulaire pour envoi d'alertes par message par courriel, message texte ou appel vocal.
88009417	 FP-RFK-FBF-CFS-21/2-10 Trousse de connexion de mise à niveau de capteur cellulaire Série LF860 Large, LF866, LF880V, LF886V Tailles 2½ po à 10 po (6,3 cm à 24,4 cm)	Comprend un capteur d'inondation avec matériel de montage, un module d'activation de capteur avec câble, une passerelle cellulaire avec trousse de montage, un fil de mise à la terre, et un adaptateur d'alimentation. Utilisez cette trousse pour installer le capteur d'inondation intégré et activer la fonctionnalité de détection des inondations sur la soupape de décharge lors d'une installation existante avec réseau cellulaire pour envoi d'alertes par message par courriel, message texte ou appel vocal.

Garantie limitée : FEBCO (la « Société ») garantit que chacun de ses produits est exempt de vice de matériau et de fabrication dans des conditions normales d'utilisation pour une période d'un an à compter de la date d'expédition d'origine. Si une telle défaillance devait se produire au cours de la période sous garantie, la Société pourra, à sa discrétion, remplacer le produit ou le remettre en état, sans frais.

LA PRÉSENTE GARANTIE EST DONNÉE EXPRESSÉMENT ET CONSTITUE LA SEULE GARANTIE DONNÉE PAR LA SOCIÉTÉ EN CE QUI CONCERNE LE PRODUIT. LA SOCIÉTÉ NE FORMULE AUCUNE AUTRE GARANTIE, EXPRESSE OU IMPLICITE. LA SOCIÉTÉ DÉCLINE AUSSI FORMELLEMENT PAR LA PRÉSENTE TOUTE AUTRE GARANTIE, EXPRESSE OU IMPLICITE, Y COMPRIS, SANS S'Y LIMITER, LES GARANTIES IMPLICITES DE QUALITÉ MARCHANDE ET D'APTITUDE À UN USAGE PARTICULIER.

Le dédommagement précisé dans le premier paragraphe de cette garantie constitue la seule et unique alternative en cas de service demandé au titre de cette garantie et la Société ne pourra être tenue responsable de dommages spéciaux ou indirects, incluant, sans s'y limiter : pertes de profit, coûts de réparation ou de remplacement des autres biens ayant été endommagés si ce produit ne fonctionne pas correctement, autres coûts afférents aux frais de main-d'œuvre, de retards, de vandalisme, de négligence, d'engorgement causés par des corps étrangers, de dommages causés par des propriétés de l'eau défavorables, des produits chimiques ou toute autre circonstance indépendante de la volonté de la Société. La présente garantie est déclarée nulle et non avenue en cas d'usage abusif ou incorrect, d'application, d'installation ou d'entretien incorrects ou de modification du produit.

Certains États n'autorisent pas les limitations de durée d'une garantie tacite, ni l'exclusion ou la limitation des dommages accessoires ou indirects. En conséquence, les limitations susmentionnées pourraient ne pas s'appliquer à votre cas. Cette garantie limitée vous confère des droits spécifiques reconnus par la loi; vous pourriez également avoir d'autres droits, lesquels varient d'un État à l'autre. Vous devez donc prendre connaissance des lois étatiques applicables pour déterminer vos droits. **LA DURÉE DE TOUTE GARANTIE IMPLICITE PRÉVUE PAR LA LOI EN APPLICATION ET DEVANT DONC ÊTRE ASSUMÉE, Y COMPRIS LES GARANTIES IMPLICITES DE QUALITÉ MARCHANDE ET D'APTITUDE À UN USAGE PARTICULIER, SERA LIMITÉE À UN AN À PARTIR DE LA DATE DE L'EXPÉDITION D'ORIGINE.**



A WATTS Brand

É.-U. : Tél. : (800) 767-1234 • FEBCOonline.com

Canada : Tél. : (888) 208-8927 • FEBCOonline.ca

Amérique latine : Tél. : (52) 55-4122-0138 • FEBCOonline.com

Manual de instalación, mantenimiento y reparación

Serie 880V, LF880V-FS, y LF886V-FS

Válvulas antirretorno de principio de presión reducida
Conjuntos de detectores de presión reducida
2½" – 10" (6.3 cm a 25.4 cm)

⚠ ADVERTENCIA



Lea este manual **ANTES** de utilizar este equipo.
No leer ni seguir toda la información de seguridad y uso puede provocar la muerte, lesiones físicas graves, daños a la propiedad o al equipo.
Guarde este manual para futuras consultas.



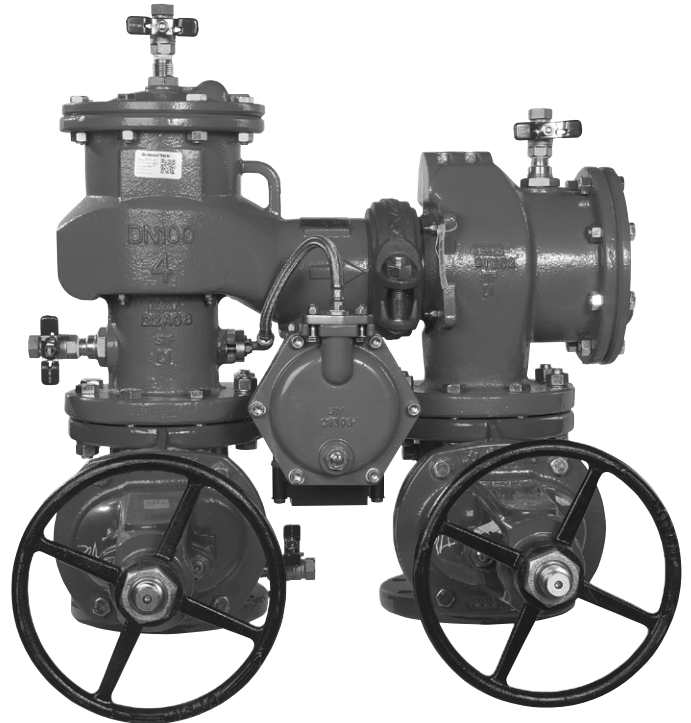
⚠ ADVERTENCIA

Se requiere inspección y mantenimiento periódicos: Este producto se debe probar periódicamente de conformidad con los reglamentos locales y al menos una vez al año o más, según lo requieran las condiciones de servicio. Todos los productos deben volver a probarse una vez que se haya realizado el mantenimiento. Las condiciones corrosivas del agua y/o los ajustes o reparaciones no autorizados podrían hacer que el producto sea ineficaz para el servicio previsto. La verificación y limpieza periódica de los componentes internos del producto ayudan a garantizar la máxima vida útil y el correcto funcionamiento del producto.

⚠ ADVERTENCIA

Los reglamentos locales de construcción o plomería pueden requerir modificaciones a la información proporcionada. Debe consultar los reglamentos locales de construcción y plomería antes de realizar la instalación. Si la información proporcionada aquí no coincide con los reglamentos locales de construcción o plomería, se deben seguir los reglamentos locales. Un contratista con licencia debe instalar este producto de acuerdo con los reglamentos y las disposiciones locales.

En este trío de conjuntos MasterSeries, LF880V-FS y LF886V-FS están equipados con un sensor de inundación integrado que detecta descargas excesivas de la válvula de alivio y activa la notificación de posibles eventos de inundación. Un kit de conexión de sensor adicional activa el sistema de alerta para su uso con sistemas de gestión de edificios o redes de comunicación celular. Hay disponible un kit de conexión de sensor de retroadaptación para las instalaciones existentes. Consulte "Kits de conexión de sensores adicionales y de retroadaptación" al final de este documento para ver las series que califican y el tamaño de las válvulas.



LF880V-FS-OSY



A WATTS Brand

Pautas de instalación

AVISO

Los pernos de la junta de la brida de las válvulas de compuerta deben volver a apretarse durante la instalación, ya que los pernos pueden haberse aflojado debido al almacenamiento y envío.

1. Consulte los códigos locales para conocer los requisitos y restricciones específicas de instalación correspondientes a su área. Se recomienda un mínimo de 20 psi (138 kPa) para la presión de suministro del sistema.
2. Instale el ensamble de la válvula solo en la orientación o dirección de flujo mostrada. Las válvulas de compuerta pueden girarse según como lo permita el patrón de pernos de brida.

AVISO

La descarga normal y las molestas salpicaduras se solucionan mediante el uso de un empalme de espacio de aire FEBCO® y una línea de residuos indirecta fabricada. El drenaje del espacio no está diseñado para recoger la máxima descarga posible de la válvula de alivio. La instalación de un accesorio de espacio de aire FEBCO con la línea de drenaje terminando sobre un desagüe en el piso maneja cualquier descarga normal o escupida molesta a través de la válvula de alivio. Sin embargo, es posible que sea necesario diseñar el tamaño del desagüe del suelo para evitar daños por agua causados por una condición de falla completa. No reduzca el tamaño de la línea de drenaje del empalme de espacio de aire.

Cuando instale un espacio de aire, fije los soportes del espacio de aire directamente en el sensor de inundación.

3. Instale el ensamble de la válvula donde sea accesible para pruebas y mantenimiento periódicos. Las distancias que se muestran en las vistas de instalación se aplican a las instalaciones exteriores, interiores y de pozos o bóvedas y son solo recomendaciones. (Consulte las figuras 1 y 2). Estos mínimos no se aplican a gabinetes protectores extraíbles. Consulte los códigos locales para conocer los requisitos reales del área.
4. Antes de instalar la válvula en la línea, enjuague la línea de suministro eliminando toda materia extraña. No enjuagar la línea de suministro puede provocar que las válvulas de retención se contamine y requiera desarmarse y limpiarse.
5. Eleve el ensamble conectando los ganchos de elevación a los anillos de elevación fundidos en el cuerpo de la válvula. No levante el ensamble conectándolo a las ruedas de mano o a los vástagos de la válvula de compuerta. El uso de los reguladores de válvulas opcionales (solo unidades horizontales) proporciona una conexión rígida a la línea de suministro (con la línea central correcta) sin necesidad de bloques de empuje de hormigón.
6. Para la instalación vertical, siga este procedimiento:
 - Afloje los pernos del acoplamiento de ranura lo suficiente para permitir la rotación de la retención de salida
 - Retire la manguera de la entrada del medidor de derivación, asegurándose de retirar y guardar la junta.
 - Gire la retención de salida 180° a la posición vertical e instale el soporte de la tubería (que debe proporcionar el cliente y debe encajar en la tubería del mismo tamaño que la válvula que se instala, excepto que las válvulas de 2½" [6.3 cm] requieren un soporte de tubería de 3" [7.6 cm]) en la lengüeta de soporte de la tubería que ahora está colocada debajo de la retención. (Consulte la figura 2.)

- Vuelva a apretar e inspeccione el acoplamiento de ranura
- Vuelva a conectar la manguera a la entrada del medidor de desviación, asegúrese de incluir la junta que se quitó antes y que el medidor esté orientado con la placa frontal hacia arriba. Si es necesario, ajuste la tubería de derivación para conectar la manguera de derivación aflojando las tuercas de los accesorios de la mampara que fijan la derivación al cuerpo de la válvula y girando la tubería. Vuelva a apretar la tuerca de la mampara una vez que la tubería esté en su lugar.

AVISO

Puede ser conveniente mover el soporte de montaje de derivación en función de la ubicación de la válvula. El soporte de montaje de la derivación se puede mover al lado opuesto. Siga las instrucciones anteriores para girar la tubería de derivación para acomodar la nueva posición.

AVISO

El cuerpo de la válvula y el soporte de la tubería están diseñados para soportar el peso de la segunda válvula de retención y la válvula de la compuerta de salida solamente. La tubería que está por encima de la válvula de la compuerta de salida debe sostenerse independientemente. Vuelva a apretar los pernos del acoplamiento de la ranura. Gire la válvula de la compuerta de salida como desee o necesite.

7. (Para la instalación vertical) Retire el tubo formado de la tubería de derivación y repita el paso 6. Al finalizar, gire el codo del accesorio de compresión 180° y vuelva a instalar el tubo, girando la T del tubo ahora en la parte inferior de la retención de salida para alinearla con el tubo.
8. Después de la instalación, llene lentamente el ensamble con agua y purgue el aire del cuerpo utilizando las válvulas de prueba No 3 y No 4. Pruebe el ensamble de la válvula para asegurarse de que funciona correctamente.

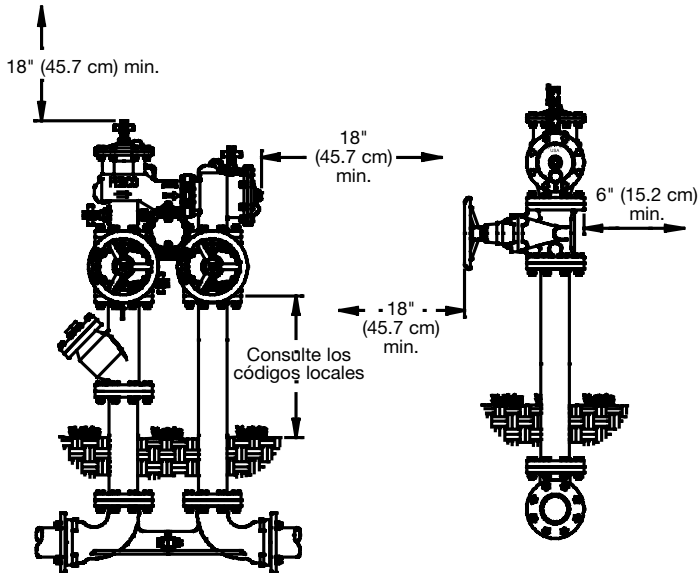
AVISO

Se prueban en fábrica todos los ensambles para evaluar su operación correcta y la ausencia de fugas. Si la válvula no pasa la prueba de campo, lo más probable es que se deba a una válvula de retención contaminada. Esto no está cubierto por la garantía de fábrica. Se deben retirar las cubiertas de la válvula y se deben inspeccionar y limpiar los asientos de retención. Los daños o el funcionamiento incorrecto provocado por residuos de la tubería o la instalación/arranque incorrectos no están incluidos en la garantía de fábrica. En caso de un posible reclamo de la garantía, póngase en contacto con el proveedor local o el representante de FEBCO. No retire el ensamble de la válvula de la tubería.

9. Proteja el ensamble de la congelación y los aumentos excesivos de presión. Se pueden provocar incrementos de presión por la expansión térmica o por golpes de ariete. Se deben eliminar estas situaciones de presión excesiva para proteger la válvula y el sistema de posibles daños.

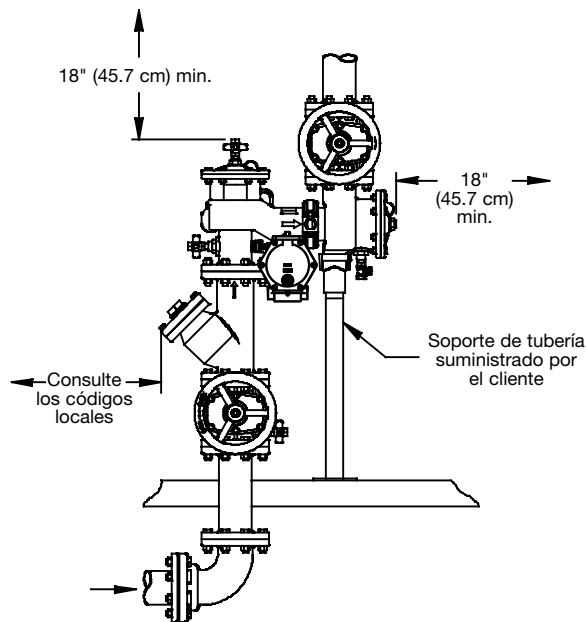
Instalación típica

Figura 1



Instalación con patrón N
(se muestra con filtro)

Figura 2



Instalación vertical
(se muestra con filtro)

Servicio y mantenimiento

- Enjuague todas las piezas con agua limpia antes de volver a ensamblarlas.
- No use lubricante para tuberías, aceite, grasa o solvente sobre ninguna pieza a menos que se le indique hacerlo.
- No fuerce las piezas. Las piezas deben ajustarse con facilidad. Si se aplica exceso de fuerza, se podrían provocar daños y hacer que el ensamble no funcione.
- Inspeccione con cuidado los sellos y las superficies en busca de escombros o daños.
- Después de realizar el servicio, vuelva a presurizar el ensamble y pruébelo para asegurar su correcto funcionamiento.
- Para obtener más información sobre el mantenimiento, consulte a su representante de FEBCO o visite FEBCOonline.com.

Desensamble de la válvula de retención

1. Cierre la válvula de cierre de salida, luego cierre la válvula de cierre de entrada. Purgue la presión residual del ensamble abriendo las válvulas de prueba No 4, No 3 y No 2, en ese orden.
2. Retire las tuercas y los pernos de la cubierta y levante la cubierta del cuerpo. Los resortes se retienen y la cubierta debe empujarse hacia fuera del cuerpo aproximadamente ¼ de pulgada.
3. Inspeccione las piezas y limpie los residuos del disco y el anillo del asiento. Sustituya las piezas desgastadas o dañadas según sea necesario.
4. Vuelva a colocar la cubierta, asegurándose de que el ensamble del resorte esté colocado en el conector del pivote. Si es necesario, aplique grasa aprobada por la FDA a la ranura de la junta tórica del cuerpo para mantener la junta tórica en su posición mientras instala la cubierta.
5. Instale los pernos y las tuercas y apriételos.

Desensamble de la válvula de alivio

1. Desconecte el módulo de activación, si está instalado, del sensor de inundación.
2. Utilice dos llaves de ½" (1.2 cm) para retirar el sensor de la válvula de alivio.
3. Retire los tornillos de cabeza que sujetan la cubierta al cuerpo de la válvula de alivio y retire la cubierta.
4. Retire el diafragma y extraiga el ensamble interno del cuerpo. Si es útil, empuje el ensamble interno con los dedos a través de la abertura de descarga.
5. Inspeccione si hay residuos, daños o suciedad en el disco del asiento. Limpie o sustituya el disco de goma según sea necesario.
6. Vuelva a colocar el ensamble interno y el diafragma en el cuerpo.
7. Instale la cubierta y los tornillos de cabeza.
8. Vuelva a conectar el sensor de inundación a la válvula de alivio y monte el módulo de activación en el sensor.



Procedimiento de prueba para ensambles de presión reducida

Consulte el manual de ASSE serie 5000 para conocer un método de prueba adecuado que sea coherente con los códigos locales del área.

Solución de problemas

PROBLEMA	CAUSA	SOLUCIÓN
Descarga continua de la válvula de alivio	Residuos en las superficies de los asientos de control	Desensamble y limpieza
	Residuos en las superficies de la válvula de alivio	
Descarga intermitente de la válvula de alivio	Fluctuaciones de la presión de entrada	Elimine las fluctuaciones
	Sobretensiones de presión aguas abajo	Eliminar sobretensiones

Kits de conexión de sensor de complemento y retroadaptación para sistemas de gestión de edificios

NÚMERO DE PARTE	KIT ADICIONAL/RETROADAPTACIÓN	DESCRIPCIÓN
88009414	 FP-FBF-BMS-21/2-10 Kit de conexión del sensor BMS Serie LF860-FS Large, LF866-FS, LF880V-FS, LF886V-FS Tamaños de 2½" a 10" (6.3 cm a 25.4 cm)	Incluye un módulo de activación del sensor con cable, cable de tierra y adaptador de corriente. Utilice este kit para activar el sensor de inundación integrado y habilitar las capacidades de detección de inundaciones en la válvula de alivio de una nueva instalación conectada a un controlador BMS (no incluido).
88009415	 FP-RFK-FBF-BMS-CFS-21/2-10 Kit de conexión de retroadaptación del sensor BMS Serie LF860 grande, LF866, LF880V, LF886V Tamaños de 2½" a 10" (6.3 cm a 25.4 cm)	Incluye sensor de inundación con hardware de montaje, módulo de activación del sensor con cable, cable de tierra y adaptador de alimentación. Utilice este kit para instalar el sensor de inundación y habilitar las capacidades de detección de inundaciones en la válvula de alivio de una instalación existente vinculada a un controlador BMS (no incluido).

Kits de conexión de sensores adicionales y de retroadaptación para la comunicación celular

NÚMERO DE PARTE	KIT ADICIONAL/RETROADAPTACIÓN	DESCRIPCIÓN
88009416	 FP-FBF-CFS-21/2-10 Kit de conexión del sensor celular Serie LF860-FS Large, LF866-FS, LF880V-FS, LF886V-FS Tamaños de 2½" a 10" (6.3 cm a 25.4 cm)	Incluye un módulo de activación de sensor con cable, puerta de enlace celular con kit de montaje, adaptador de corriente y cable de tierra. Utilice este kit para activar el sensor de inundación integrado y habilitar las capacidades de detección de inundaciones en la válvula de alivio de una nueva instalación vinculada a una red celular para enviar alertas por correo electrónico, mensaje de texto SMS o llamada de voz.
88009417	 FP-RFK-FBF-CFS-21/2-10 Kit de conexión de retroadaptación del sensor celular Serie LF860 grande, LF866, LF880V, LF886V Tamaños de 2½" a 10" (6.3 cm a 25.4 cm)	Incluye sensor de inundación con herraje de ensamble, módulo de activación de sensor con cable, puerta de enlace celular con kit de montaje, adaptador de corriente y cable de tierra. Utilice este kit para instalar el sensor de inundación y habilitar las capacidades de detección de inundaciones en la válvula de alivio de una instalación existente vinculada a una red celular para enviar alertas por correo electrónico, mensaje de texto SMS o llamada de voz.

Garantía limitada: FEBCO (la "Empresa") garantiza que los productos no presentarán defectos en el material y la mano de obra cuando se usen en forma normal, durante un periodo de un año a partir de la fecha de envío original. En caso de que tales defectos se presenten dentro del periodo de garantía, la Compañía, a su criterio, reemplazará o reacondicionará el producto sin cargo alguno. **LA GARANTÍA ESTABLECIDA EN ESTE DOCUMENTO SE OTORGA EXPRESAMENTE Y ES LA ÚNICA GARANTÍA OTORGADA POR LA COMPAÑÍA CON RESPECTO AL PRODUCTO. LA COMPAÑÍA NO OTORGA NINGUNA OTRA GARANTÍA, EXPRESA NI IMPLÍCITA. POR ESTE MEDIO, LA COMPAÑÍA RENUNCIA ESPECÍFICAMENTE A TODAS LAS DEMÁS GARANTÍAS, EXPRESAS O IMPLÍCITAS, INCLUIDAS, ENTRE OTRAS, LAS GARANTÍAS IMPLÍCITAS DE COMERCIABILIDAD E IDONEIDAD PARA UN PROPÓSITO EN PARTICULAR.**

El recurso descrito en el primer párrafo de esta garantía constituirá el único y exclusivo recurso por incumplimiento de la garantía, y la Compañía no será responsable de ningún daño incidental, especial o consecuente, incluidos, entre otros, la pérdida de ganancias o el costo de reparación o reemplazo de otros bienes dañados si este producto no funciona correctamente, otros costos resultantes de cargos laborales, retrasos, vandalismo, negligencia, contaminación causada por materiales extraños, daños por condiciones adversas del agua, productos químicos o cualquier otra circunstancia sobre la cual la Compañía no tenga control. Esta garantía quedará anulada por cualquier abuso, uso indebido, aplicación incorrecta, instalación o mantenimiento inadecuados o alteración del producto.

Algunos estados no permiten limitaciones respecto a la duración de una garantía implícita, y algunos estados no permiten la exclusión o limitación de daños incidentales o consecuentes. Por lo tanto, las limitaciones anteriores pueden no aplicarse a usted. Esta garantía limitada le otorga derechos legales específicos y es posible que tenga otros derechos que varían de un estado a otro. Debe consultar las leyes estatales vigentes para determinar sus derechos. **EN LA MEDIDA QUE SEA CONSISTENTE CON LAS LEYES ESTATALES VIGENTES, CUALQUIER GARANTÍA IMPLÍCITA QUE PUEDA NO SER RENUNCIADA, INCLUYENDO LAS GARANTÍAS IMPLÍCITAS DE COMERCIABILIDAD E IDONEIDAD PARA UN PROPÓSITO PARTICULAR, TIENEN UNA DURACIÓN LIMITADA A UN AÑO A PARTIR DE LA FECHA DE ENVÍO ORIGINAL.**



A WATTS Brand

EE. UU.: T: (800) 767-1234 • FEBCOonline.com

Canadá: T: (888) 208-8927 • FEBCOonline.ca

América Latina: T: (52) 55-4122-0138 • FEBCOonline.com