

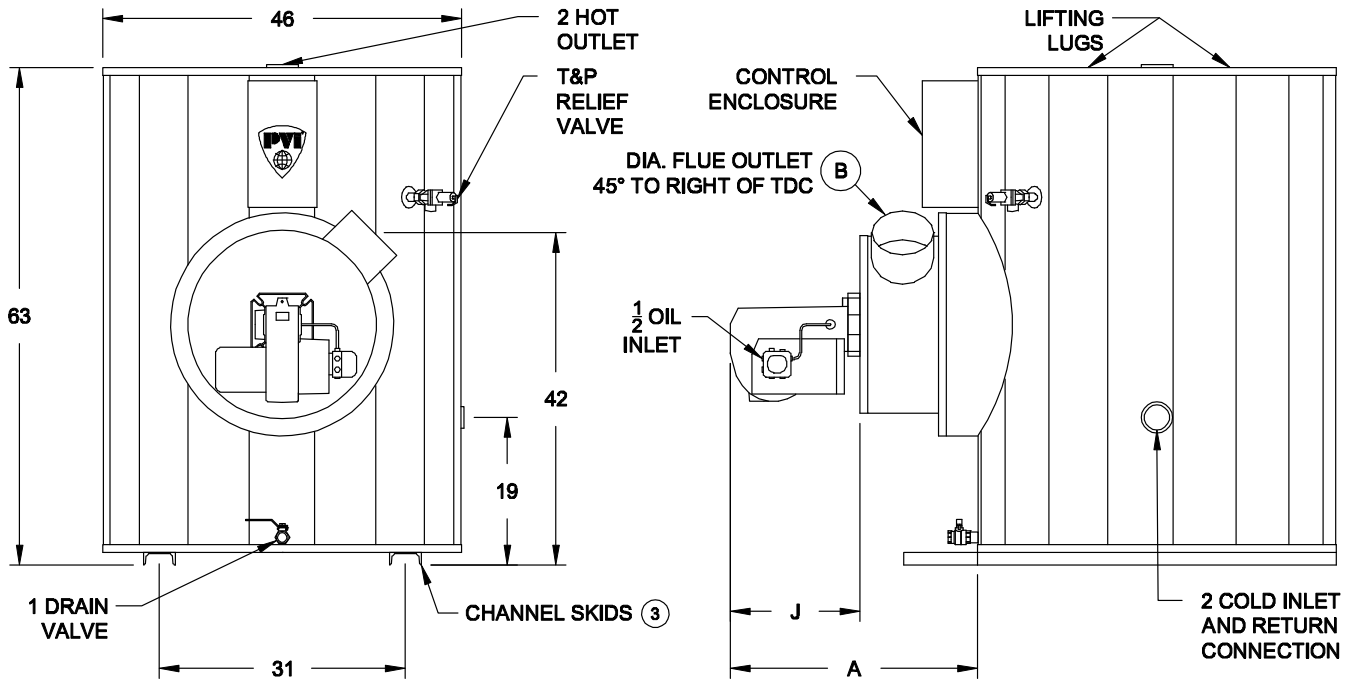
# TURBOPOWER® OIL • PACKAGED WATER HEATER

## AquaPLEX® STORAGE TANK (UNLINED DUPLEX ALLOY)

### TANK SERIES 250 GALLONS

Model Number	Recovery gph ①		Input Btu/h	Gph #2 Oil	Max. oil gph (gear capacity) ④	Dimensions (inches)			Blower Motor		Shipping Weight lbs
	40°- 120°F	40°- 140°F				A	B	J ②	HP	Volt/Ph/Amps	
500 L 250A-TPO	500	400	399,000	2.8	70	27-1/2	5	17	1/2	115/1Ø/10	1330
750 L 250A-TPO	750	600	600,000	4.3	70	30-1/2	6	17	1/2	115/1Ø/10	1410
1000 L 250A-TPO	1000	800	800,000	5.7	70	30-1/2	8	17	1/2	115/1Ø/10	1450
1250 L 250A-TPO	1250	1000	1,000,000	7.2	70	47-1/2	8	17	1/2	115/1Ø/10	1650
1500 L 250A-TPO	1500	1200	1,200,000	8.6	70	47-1/2	8	17	1/2	115/1Ø/10	1660

- ① Recoveries based on 83% thermal efficiency. ASHRAE 90.1 compliant for efficiency and standby loss.
- ② "J" dimension is for the burner housing only.
- ③ 4" x 46" Channel skids for inputs < 1000 MBtu/h.  
4" x 54-1/2" Channel skids for inputs ≥ 1000 MBtu/h.
- ④ Standard gear capacities may change depending on burner supplier.  
Designer must use gear capacities from the above chart to size the oil distribution piping system; including transfer pumps (if used).  
Dimensions are in inches unless otherwise specified.  
For standard and optional equipment, see form PV 8166.



**VENTING REQUIREMENTS**

-.02" TO -.06" W.C. (NEGATIVE PRESSURE)

*ENTIRE VENT SYSTEM SHOULD NEVER BE SIZED BASED UPON THE VENT CONNECTION DIAMETER EXCLUSIVELY. FOR PROPER SIZING, CONSULT VENTING SUPPLIER.*

**STANDARD ELECTRICAL REQUIREMENTS**

CONTROL VOLTAGE: 120V, 1Ø, 60 HZ., 2 AMPS.  
MOTOR VOLTAGE: 208V, 230V, AND 460V MOTORS ARE AVAILABLE BUT WILL REQUIRE A SEPARATE 120V/2 amps CONTROL CIRCUIT OR AN OPTIONAL CONTROL CIRCUIT TRANSFORMER.

**PVI RESERVES THE RIGHT TO CHANGE THE DESIGN AND SPECIFICATION WITHOUT NOTICE.**

