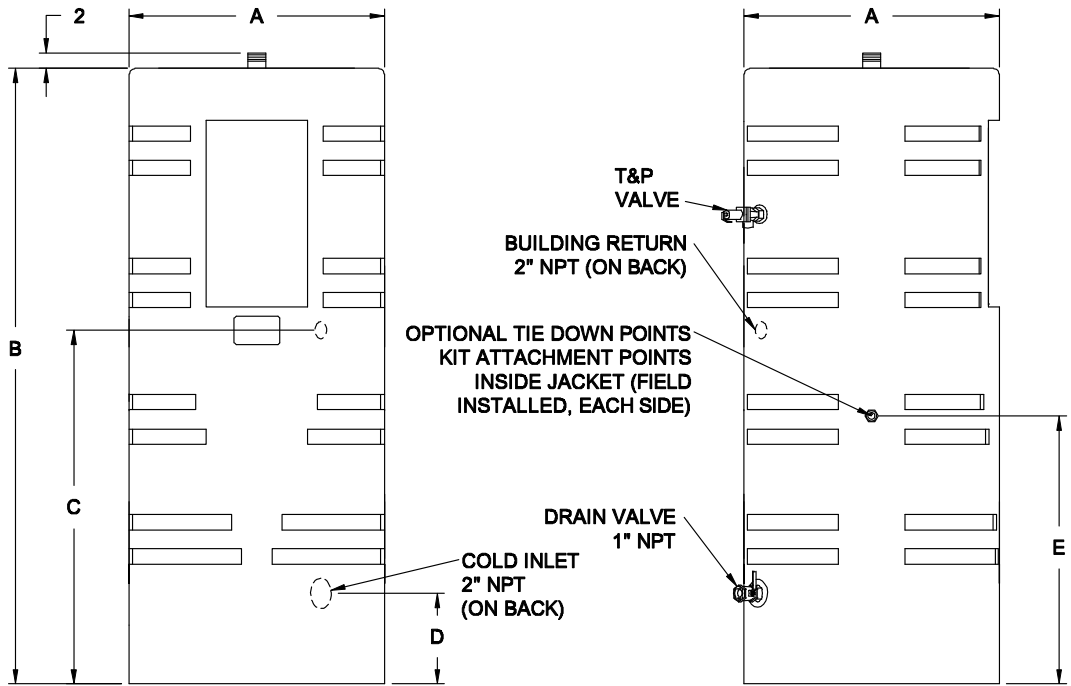
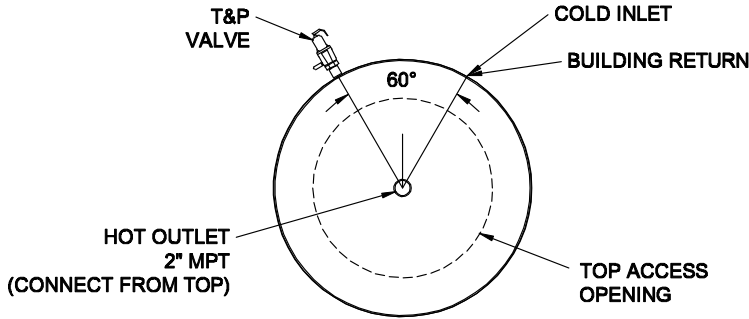


**Conquest® VERTICAL STORAGE TANKS • Insulated and Jacketed**  
**AquaPLEX® STORAGE TANK (UNLINED DUPLEX ALLOY)**

**TANK SERIES 160 GALLONS**

Model No.	Gallons Storage	Dimensions in Inches					Water Inlet Connection FPT	Water Outlet Connection MPT	Approx. Shipping Weight lbs
		A	B	C	D	E			
L 160A-TR	160	33-5/8	81	46-1/2	12	35-1/4	2	2	550

Dimensions are in inches unless otherwise noted.  
 For larger storage capacities, consult factory.



FRONT VIEW

LEFT VIEW

PVI reserves the right to change the design and specification without notice.



PVI Industries, LLC  
 Fort Worth, TX • (800) 784-8326 • www.pvi.com