

QuickDraw® BOILER WATER SINGLE-WALL PACKAGED WATER HEATER with AquaPLEX® STORAGE TANK

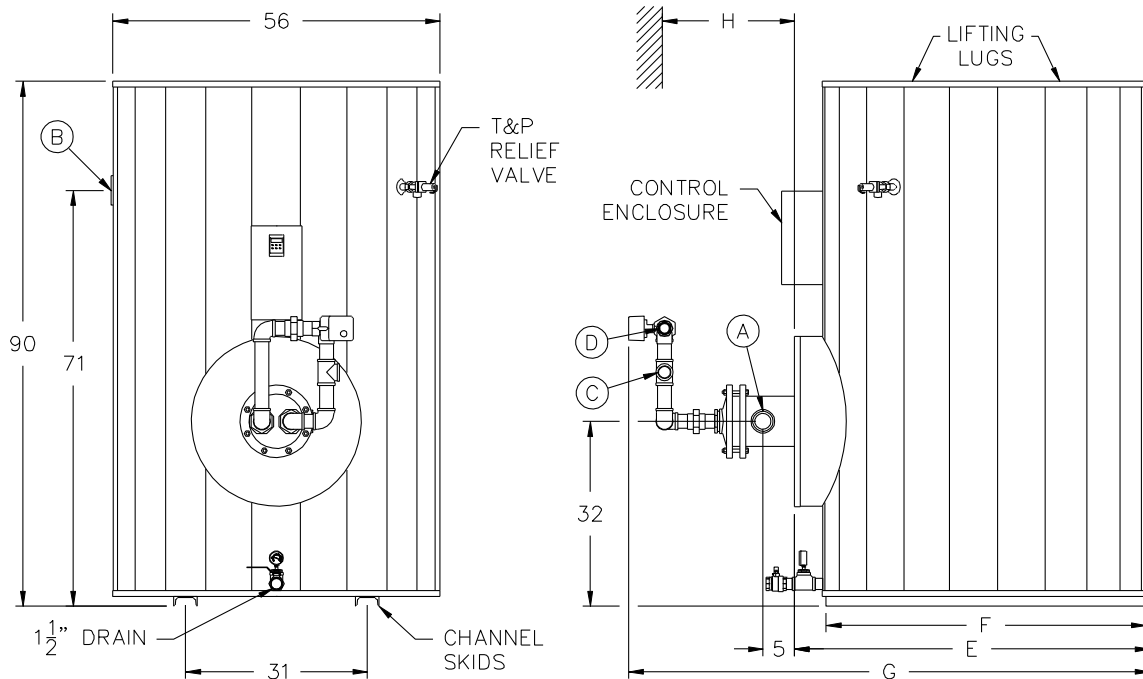
TANK SERIES 600 GALLON

MODEL NUMBER	STANDARD RECOVERY RATE	STANDARD BOILER WATER FLOW	A COLD INLET NPT	B HOT OUTLET NPT	C BOILER WATER INLET NPT	D BOILER WATER OUTLET NPT	E COWLING DEPTH	F SKID LENGTH	G OVERALL DEPTH	H PULL SPACE	SHIPPING WEIGHT LBS
	40°F - 140°F	180°F (20°ΔT)									
300 L 600A-QW	140	12	2	3	3/4	3/4	61	54-1/2	88	34	1890
600 L 600A-QW	270	23	2	3	1	1	61	54-1/2	88	58	1900
800 L 600A-QW	380	32	2	3	1-1/4	1-1/4	61	54-1/2	88	46	1940
1100 L 600A-QW	510	43	2	3	1-1/4	1-1/4	61	54-1/2	88	58	1950
1500 L 600A-QW	690	58	2	3	1-1/2	1-1/2	61	54-1/2	89	46	2040
2000 L 600A-QW	950	80	2	3	2	2	61	54-1/2	89	58	2060
2300 L 600A-QW	1020	87	2-1/2	3	2	2	61	54-1/2	89	40	2130
2600 L 600A-QW	1200	102	2-1/2	3	2-1/2	2-1/2	61	54-1/2	96	46	2140
3000 L 600A-QW	1420	120	2-1/2	3	2-1/2	2-1/2	61	54-1/2	96	52	2230
3500 L 600A-QW	1630	138	2-1/2	3	2-1/2	2-1/2	61	54-1/2	96	58	2240
4000 L 600A-QW	1790	152	2-1/2	3	3	3	61	54-1/2	96	46	2320
4300 L 600A-QW	2110	179	2-1/2	3	3	3	61	54-1/2	96	52	2350
4500 L 600A-QW	2390	203	2-1/2	3	3	3	61	54-1/2	96	58	2370
6300 L 600A-QW	2960	251	2-1/2	3	4	4	61	54-1/2	96	52	2460
8200 L 600A-QW	3800	322	2-1/2	3	4	4	61	54-1/2	96	52	2630
	gph	gpm									

* For recoveries, boiler water flows and valve sizes at different boiler water temperatures and temperature rises, refer to forms PV 6909.



Electrical requirements: 120V, 1Ø, 60 Hz., 15 amps maximum, to a single point connection.
When using 4" boiler water valve, the supply and return piping is to be field supplied and installed.
Dimensions are in inches unless otherwise noted.
For standard and optional equipment, see form PV 8163.
If using glycol, consult your representative.



PVI RESERVES THE RIGHT TO CHANGE THE DESIGN AND SPECIFICATION WITHOUT NOTICE.