

LOW NO_x MAXIM • PACKAGED GAS WATER HEATER

AquaPLEX® STORAGE TANK (UNLINED DUPLEX ALLOY)

TANK SERIES 250 GALLON

MODEL NUMBER	27 L 250A-MXS	40 L 250A-MXS
GPH Recovery at 70° to 140°F ①	380	564
GPH Recovery at 40° to 140°F ②	266	395
Input Btu/h	270,000	399,000
* Minimum gas inlet pressure – " W.C.	4.5	4.5
A Cold Inlet - NPT	2	2
B Hot Outlet - NPT	2	2
C Drain - NPT	1	1
D I - Beam Skids	3 x 45	3 x 45
E Overall Depth	56	56
F Overall Height	75	75
G Flue Outlet Diameter	6	7
H Gas Inlet - NPT	3/4	3/4
J Motor HP 120V, 1Ø, 60 Hz.	1/6	1/6
Motor Amps	3	3
L Height to Outlet	65	65
M Height to Inlet	28	28
Approx. Shipping Weight - lbs	1335	1370

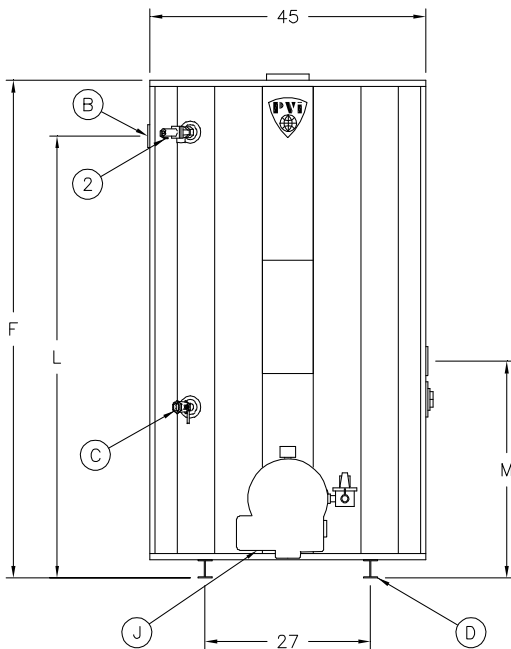
① Recoveries derived from DOE 10 CFR 431 testing requirements (ANSI Z 21.10.3 @ 70° to 140°F)

② Recoveries based upon 40°F entering water temperature
Dimensions are in inches unless otherwise specified.

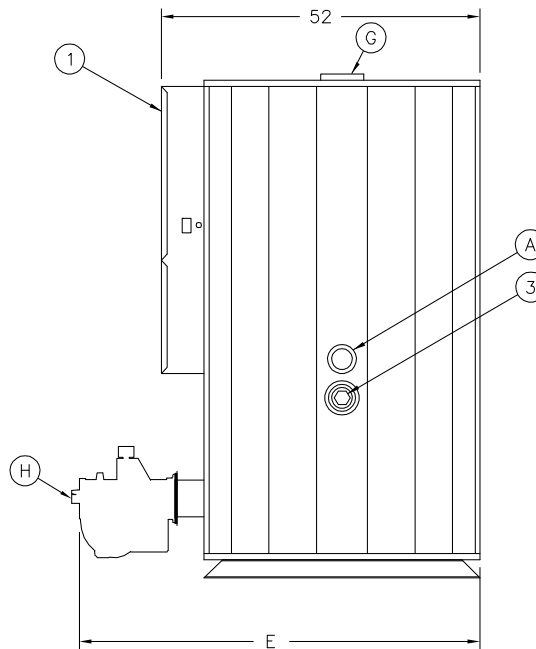
* The information presented is for natural gas 0.6 S.G. –

For operation with propane (LP gas), consult the factory.

For standard and optional equipment, see form # PV 8123.



FRONT VIEW



SIDE VIEW

1. Control Enclosure
2. ASME Temperature & Pressure Relief Valve
3. 3" Handhole Cleanout

STANDARD GAS PRESSURE REQUIREMENTS:

SEE TABLE FOR MINIMUM PRESSURE BY MODEL NUMBER.
 MAXIMUM STATIC PRESSURE: 10.5" W.C. for 270 and 400 MBtu/h
 AND 14" W.C. for 540 and 650 MBtu/h
 FOR GAS PRESSURES OUTSIDE OF THIS RANGE,
 CONTACT YOUR PVI REPRESENTATIVE.

STANDARD ELECTRICAL REQUIREMENTS:

CONTROL VOLTAGE: 120V, 1Ø, 60 HZ., 2 AMPS
MOTOR VOLTAGE: 120V, 1Ø, 60 HZ
 SEE ABOVE CHART FOR BLOWER MOTOR AMPS

VENTING REQUIREMENTS:

-.02" TO -.06" W.C. (NEGATIVE PRESSURE)
 TYPE B VENTING.
**THE ENTIRE VENT SYSTEM SHOULD NEVER BE SIZED BASED UPON THE
 VENT CONNECTION DIAMETER EXCLUSIVELY.
 FOR PROPER VENT SIZING, CONSULT THE NATIONAL FUEL GAS CODE
 UNDER "FAN-ASSISTED".**

**PVI RESERVES THE RIGHT TO CHANGE THE DESIGN
 AND SPECIFICATION WITHOUT NOTICE.**



PVI Industries, LLC
 Fort Worth, TX • (800) 784-8326 • www.pvi.com