

EZ Plate® Boiler Water Semi-Instantaneous Water Heater

Tank Series 750 Gal • AquaPLEX® Duplex Stainless Steel

Model Number	Amps @120V ①	A	B	C	D	Shipping Weight lbs
600 L 750A-TRBPDW	4	86	91	91	42	2010
900 L 750A-TRBPDW	4	86	91	91	42	2040
1200 L 750A-TRBPDW	4	86	91	91	42	2050
1800 L 750A-TRBPDW	5	87	91	91	42	2080
2400 L 750A-TRBPDW	5	87	91	91	42	2140
3000 L 750A-TRBPDW	5	87	91	91	42	2150
3600 L 750A-TRBPDW	8	94	91	91	42	2170
4500 L 750A-TRBPDW	8	96	91	91	51	2210
5400 L 750A-TRBPDW	9	96	91	91	51	2280
7200 L 750A-TRBPDW	14	97	91	92	51	2440

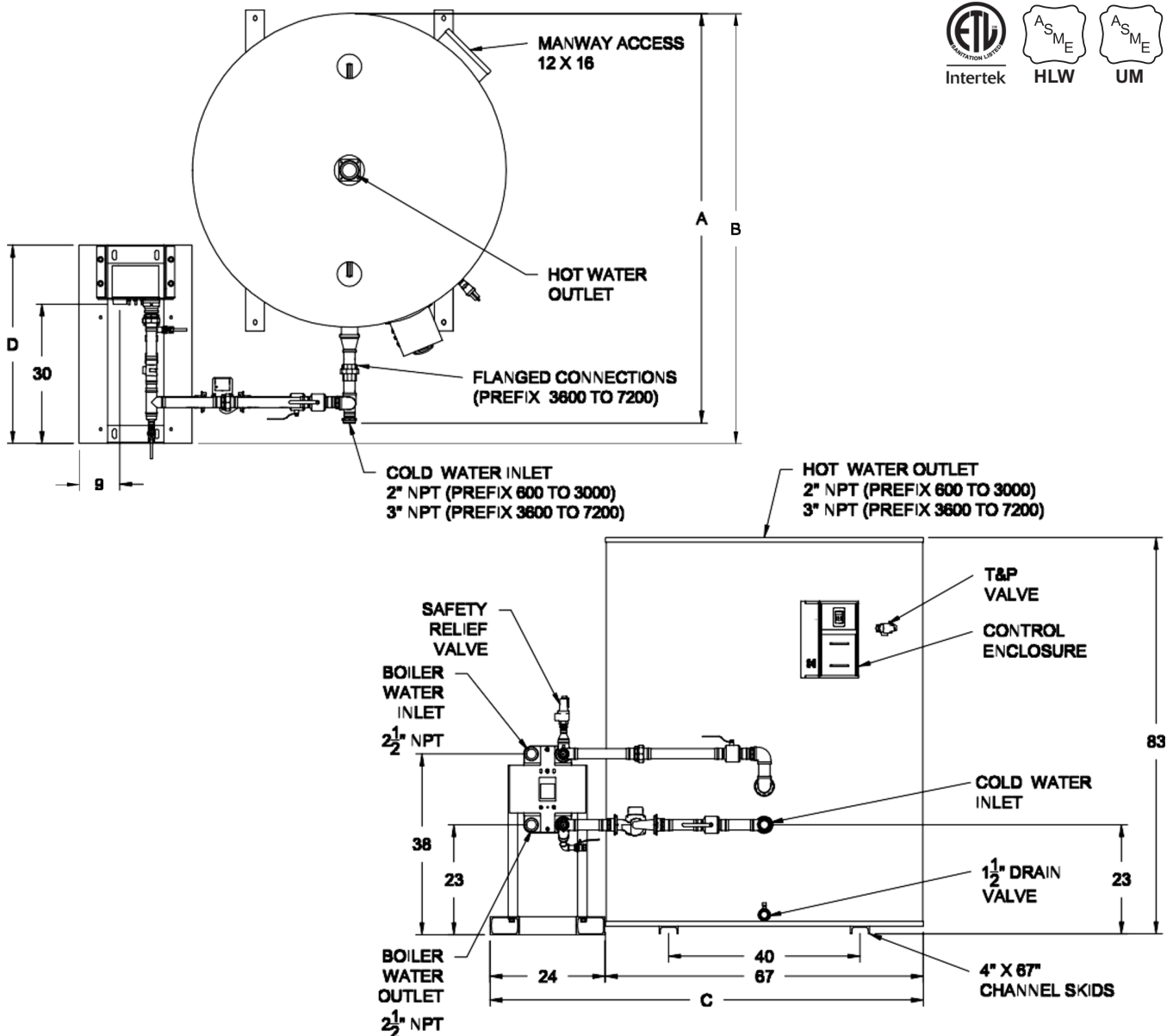
Refer to PV 8601, PV 8602 and PV 8603 for information on heat exchanger recoveries, pressure drop and boiler water flow requirements with various entering boiler water temperatures and domestic water temperatures.

Refer to PV 8600 for standard and optional equipment.

① Optional boiler water valve adds 2 amps total

Recommended service clearance is 18 inches on all sides.

Completed piping assembly is factory fit between the exchanger and tank and separated at unions (or flanges) for shipping. Tank and heat exchanger ship separately for field assembly to piping assembly. If using glycol, consult your representative.



PVI reserves the right to change the design and specification without notice.

Hot Water Solutions

PVI Industries • Fort Worth, TX

© 2023 PVI