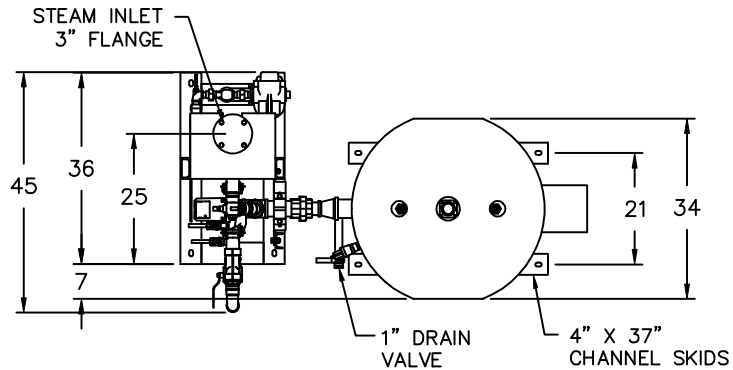


COBREX[®] Steam Semi-Instantaneous Water Heater with 215 Gallon AquaPLEX[®] (duplex stainless steel) Pressure Vessel Dimensions

Model No.	Amps @ 120V	Shipping Weight Lbs.
1200 L 215A-TCX	4	1370
1800 L 215A-TCX	4	1380
2700 L 215A-TCX	6	1390
3600 L 215A-TCX	6	1420

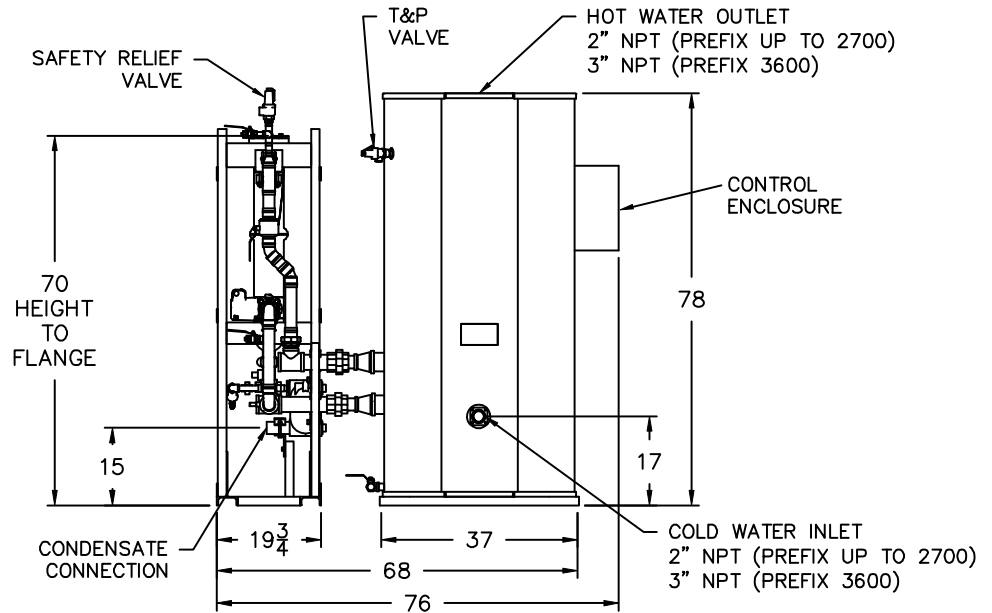


Refer to PV 8570 for standard and optional equipment.

Refer to PV 8587, PV 8588 and PV 8589 for detailed information on heat exchanger performance with different steam pressures and domestic water temperatures.

Steam pressures above 15 psi (125 psi max) require optional steam pressure reducing valve.

Recommended service clearance is 18 inches on all sides.



Completed piping assembly is factory fit between the exchanger and tank and is separated at unions for shipping. Tank and heat exchanger ship separately for field connection to piping assembly.

PVI reserves the right to change the design and specification without notice.

PV 9013 07-2018



PVI Industries, LLC
Fort Worth, TX • (800) 784-8326 • www.pvi.com

