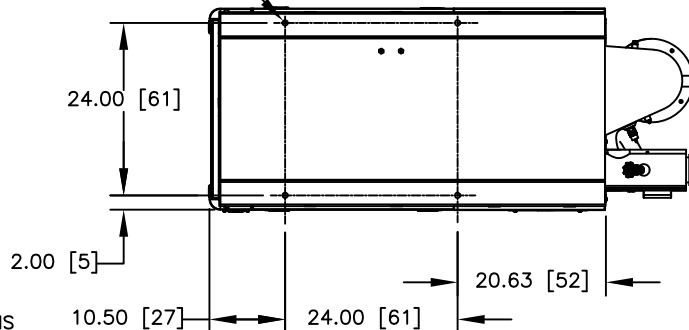
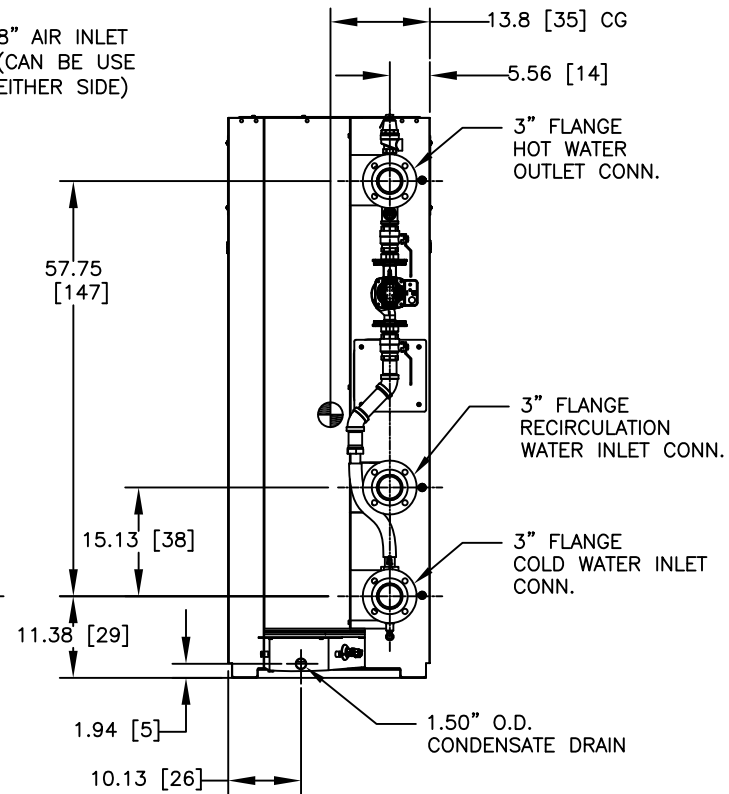
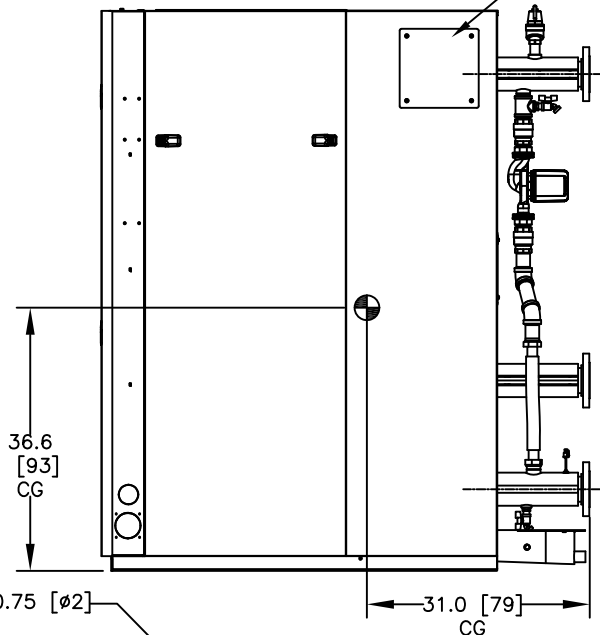
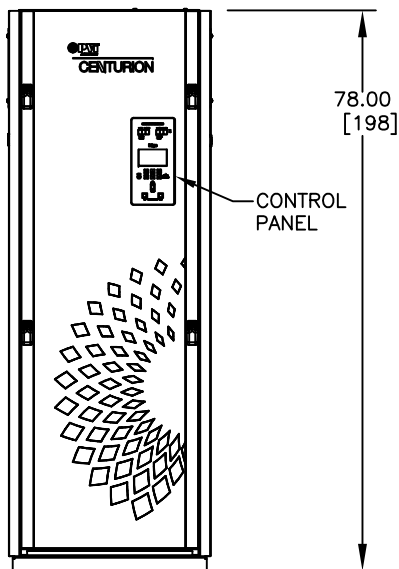



HEAT EXCHANGER DESIGN STANDARDS			
	MAX. WORKING PRESS. (PSIG)	MAXIMUM TEMP. (°F)	TEST PRESS. (PSIG)
SHELL SIDE	160	210	240

ASME B & PV CODE: SECTION IV STAMP HLW



NOTES:

- 1) ALL DIMENSIONS SHOWN ARE IN INCHES (CENTIMETERS).
- 2) PVI RESERVES THE RIGHT TO MODIFY BOILER DIMENSIONS WITHOUT PRIOR NOTICE.

 PVI INDUSTRIES FORT WORTH, TEXAS	
CENTURION 1600/2000 MBH GAS FIRED WATER HEATER DIMENSIONAL DRAWING	
DWN. BY <u>K.S.</u> DATE <u>050222</u> SCALE <u>NTS</u> REV. BY <u>K.S.</u> DATE <u>051523</u>	AP-P-1078 REV. C