

# Engineering Specification

Job Name \_\_\_\_\_

Contractor \_\_\_\_\_

Job Location \_\_\_\_\_

Approval \_\_\_\_\_

Engineer \_\_\_\_\_

Contractor's P.O. No. \_\_\_\_\_

Approval \_\_\_\_\_

Representative \_\_\_\_\_

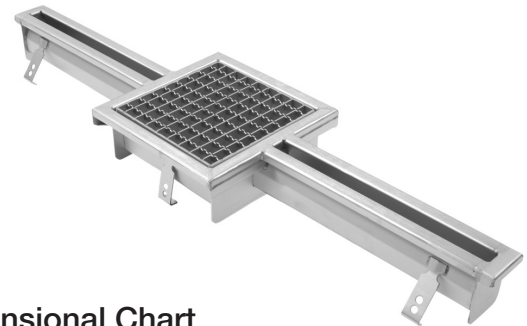
Tag \_\_\_\_\_

## BTS-EC Series

### EZ Clean Slot Channel

#### Specification:

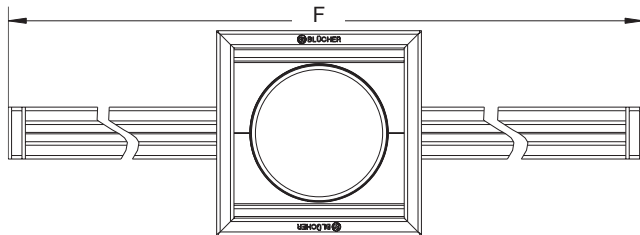
BLÜCHER Series BTS-EC Series slot channel AISI Type 304 stainless steel slot channel, 2-3/8"(60) wide x (specify) long, with .5% longitudinal slope and 130 degree cross fall, 13/16"(20) wide drainage slot, and 8" x 8"(200x200) outlet box with spigot outlet.



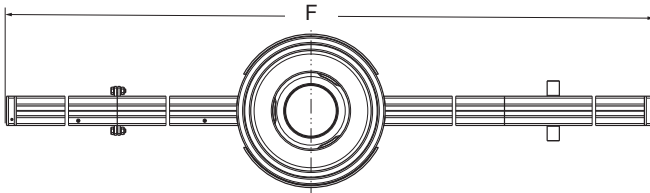
Options		
Suffix	Description	
-316	Type 316 Stainless Steel	<input type="checkbox"/>
-B	Sediment Basket	<input type="checkbox"/>
-LB	Less Outlet Box	<input type="checkbox"/>
-R	Round Sump	<input type="checkbox"/>

#### Dimensional Chart

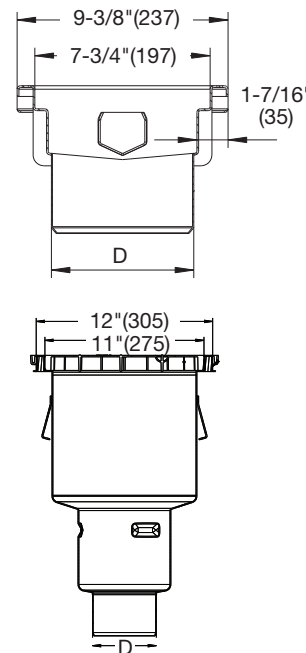
MODEL NO.	PIPE SIZE		LENGTH	
	D	F		
Series BTS-EC	Specify	Specify		



Square Option



Round Option



#### Approvals



Compliance with NSF/ANSI/3-A 14159-1-Hygiene Requirements for the Design of Meat and Poultry Processing Equipment

\*

#### NOTICE

The information contained herein is not intended to replace the full product installation and safety information available or the experience of a trained product installer. You are required to thoroughly read all installation instructions and product safety information before beginning the installation of this product.

USA: T: (800) 338-2581 • F: (828) 248-3929 • BLUCHERpipe.com

Canada: T: (888) 208-8927 • F: (888) 479-2887 • BLUCHERpipe.com

Latin America: T: (52) 55-4122-0138 • BLUCHERpipe.com

ES-B-BTS-EC Series 2222



A WATTS Brand