

Engineering Specification

Job Name _____ Contractor _____

Job Location _____ Approval _____

Engineer _____ Contractor's P.O. No. _____

Approval _____ Representative _____

Tag _____

BWC-100 WaterLine Shower Channel with Membrane Clamp






Specification:

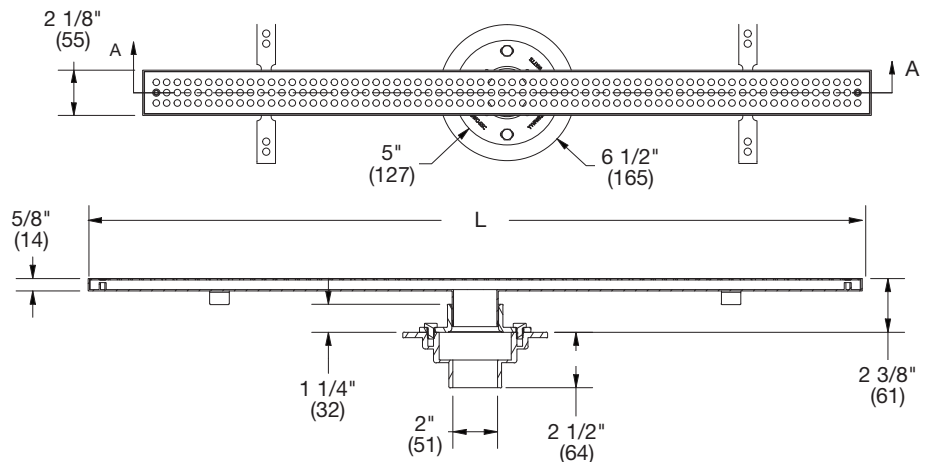
BLÜCHER BWC-100 AISI Type 304 stainless steel 3-1/4"(83) wide x (specify) long WaterLine Shower Channel with reversible cast stainless steel collar with dual O-ring seals, weepholes, and 2"(50) no hub epoxy coated cast iron (standard), PVC, or ABS body.

Dimensional Chart

MODEL	PIPE SIZE D	TOP SIZE W X L
BWC-126	2"(50) No Hub	3-1/4" x 26" (82x660)
BWC-130	2"(50) No Hub	3-1/4" x 30" (82x762)
BWC-136	2"(50) No Hub	3-1/4" x 36" (82x914)
BWC-142	2"(50) No Hub	3-1/4" x 42" (82x1067)
BWC-148	2"(50) No Hub	3-1/4" x 48" (82x1220)
BWC-160	2"(50) No Hub	3-1/4" x 60" (82x1524)
BWC-172	2"(50) No Hub	3-1/4" x 72" (82x1829)

Optional Gratings			
	Suffix	Description	
	-None	Vienna (Standard)	<input type="checkbox"/>
	-C	Copenhagen	<input type="checkbox"/>
	-Q	Special (Specify - 100pc Minimum)	<input type="checkbox"/>

OPTIONS			
-60	2"(50)	PVC Socket	<input type="checkbox"/>
-61	2"(50)	ABS Socket	<input type="checkbox"/>
-THD	2"(50)	Threaded	<input type="checkbox"/>
-VP	Vandal Proof Grate		<input type="checkbox"/>
-EO	End Outlet		<input type="checkbox"/>



Approvals



Compliance with NSF/ANSI/3-A 14159-1-Hygiene Requirements for the Design of Meat and Poultry Processing Equipment



Product is certified to the uniform plumbing code ASME A112.6.3

NOTICE

The information contained herein is not intended to replace the full product installation and safety information available or the experience of a trained product installer. You are required to thoroughly read all installation instructions and product safety information before beginning the installation of this product.



A WATTS Brand