

For Commercial Applications

Job Name _____

Contractor _____

Job Location _____

Approval _____

Engineer _____

Contractor's P.O. No. _____

Approval _____

Representative _____

Tag _____

BFD-230-SO

Adjustable Floor Drain with 12"x12" Square Top, Side Outlet

Specification

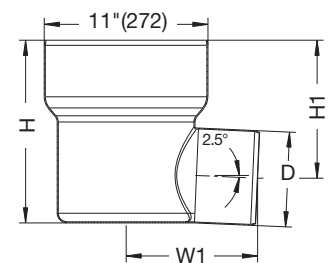
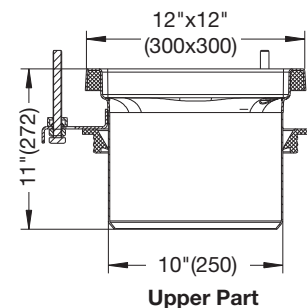
BLÜCHER BFD-230-SO AISI Type 304 stainless steel adjustable floor drain with 12"x12"(300x300) square top, 1/8"(3) grating (standard), and side outlet.



BFD-230-SO

Dimensions

Model No.	Upper Lower	Pipe Size D	H	H1	W1	Total Height Adj.
BFD-234-SO	774.403.000 763.003.110	- 4 1/4"(110)	- 6 15/32"(164)	- 12 5/8"(321)	- 8"(201)	14 9/16"(370)- 16 15/16"(430)
BFD-236-SO	774.403.000 763.003.160	- 6"(160)	- 7 1/2"(192)	- 13-11/16"(348)	- 13"(335)	11 5/8"(296)- 14"(356)



Optional Gratings (Select One)			
	Suffix	Description	
	-None	1/8"(Standard)	<input type="checkbox"/>
	-HG	Hygienic-Pro	<input type="checkbox"/>
	-LG	Ladder	<input type="checkbox"/>
	-MG	Mesh	<input type="checkbox"/>
	-SG	Slot	<input type="checkbox"/>

Please see ES-B-Commercial/Industrial Square Gratings for more information.

Options (Select One Or More)		
Suffix	Description	
-150	1/2 Grate (Standard Grating)	<input type="checkbox"/>
-175	3/4 Grate (Standard Grating)	<input type="checkbox"/>
-316	Type 316 Stainless Steel	<input type="checkbox"/>
-B	Sediment Basket	<input type="checkbox"/>
-P	Stainless Steel P-Trap	<input type="checkbox"/>
-R	8" Round Top	<input type="checkbox"/>
-SB	Sand Bucket	<input type="checkbox"/>
-TPT	Trap Primer Tapping	<input type="checkbox"/>
-VP	Grate Secured w/Vandal Proof Screws	<input type="checkbox"/>

Approvals



Compliance with NSF/ANSI/3-A 14159-1-Hygiene Requirements for the Design of Meat and Poultry Processing Equipment



NOTICE

The information contained herein is not intended to replace the full product installation and safety information available or the experience of a trained product installer. You are required to thoroughly read all installation instructions and product safety information before beginning the installation of this product.



A WATTS Brand