

For Commercial And Industrial Applications

Job Name _____
 Job Location _____
 Engineer _____
 Approval _____
 Tag _____

Contractor _____
 Approval _____
 Contractor's P.O. No. _____
 Representative _____

BSS-100

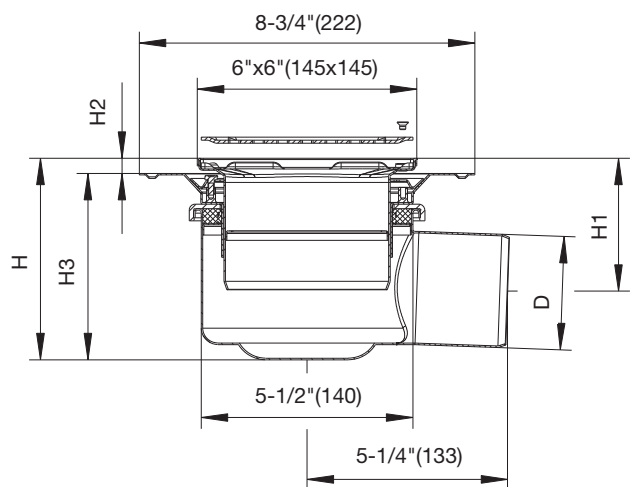
Side Outlet Shower Drain with Square Top

Specification:

BLÜCHER BSS-100 AISI Type 304 stainless steel adjustable shower drain with 6" x 6" (145x145) square top, membrane clamp- ing flange, Vienna grating (standard), and side outlet.



Optional Gratings			
	Suffix	Description	
	-A	Athens	<input type="checkbox"/>
	-C	Copenhagen	<input type="checkbox"/>
	-D	Detroit	<input type="checkbox"/>
	-N	New York	<input type="checkbox"/>
	-O	Oslo	<input type="checkbox"/>



Dimensional Chart

Model No.	Pipe Size <i>D</i>	Adjustable <i>H</i>	Adjustable <i>H1</i>	Adjustable <i>H2</i>	Adjustable <i>H3</i>
BSS-102	2" (50)	5-1/4" (133) - 7-3/8" (188)	3-9/16" (90) - 4-3/16" (105)	7/16" (10) - 2" (50)	4-7/8" (123) - 5-7/16" (138)
BSS-103	3" (75)	5-1/4" (133) - 7-3/8" (188)	3-1/2" (88) - 5-11/16" (143)	7/16" (10) - 2" (50)	4-7/8" (123) - 5-7/16" (138)

NOTICE

The information contained herein is not intended to replace the full product installation and safety information available or the experience of a trained product installer. You are required to thoroughly read all installation instructions and product safety information before beginning the installation of this product.

Approvals



Compliance with NSF/ANSI/3-A 14159-1- Hygiene Requirements for the Design of Meat and Poultry Processing Equipment *



Product is certified to the uniform plumbing code ASME A112.6.3



A WATTS Brand